



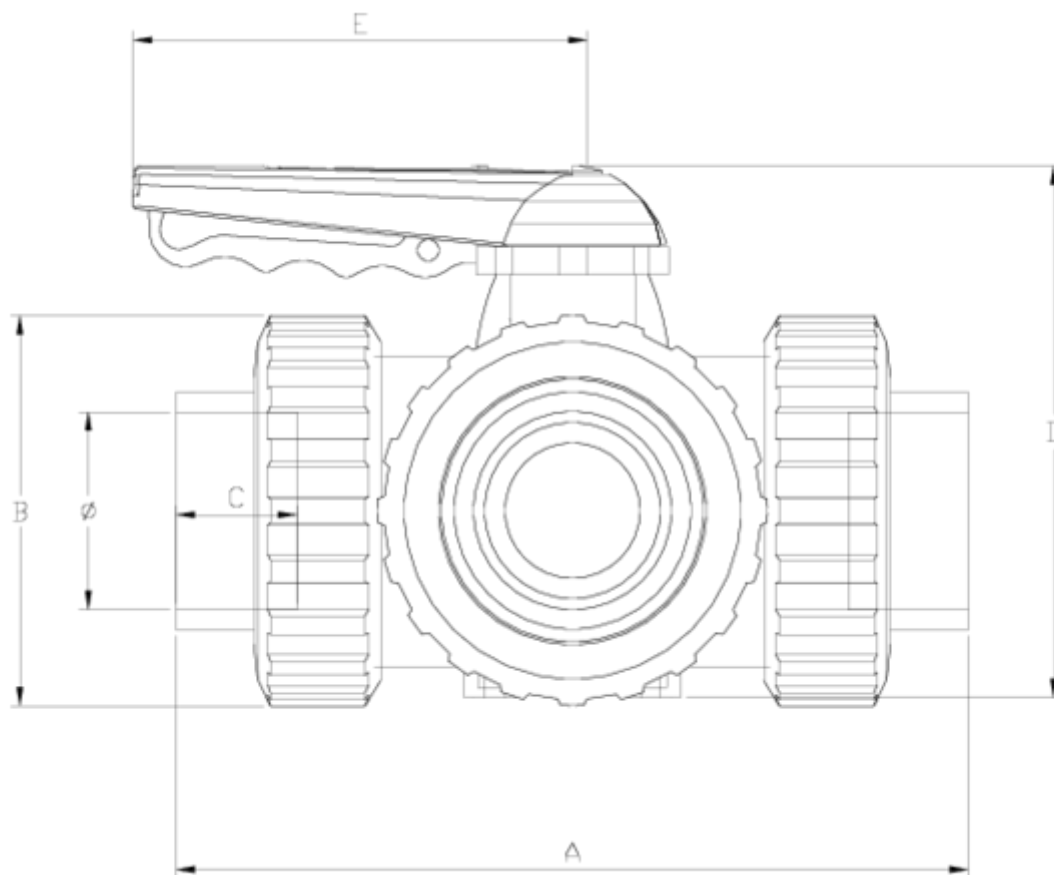
3-Way ball valve

SALIDA ENCOLAR - FPM

ITEM 853

REFERENCE	DESCRIPTION	Net weight	Volumen (m ³)	Gross weight	Unidades lote
111V103	3 WAY V. SOLV. SOCKET L FPM 32	0,715	0,03129	3,9939	4
111V105	3 WAY V. SOLV. SOCKET L FPM 50	1,73	0,04460	5,31	2
111V106	3 WAY V. SOLV. SOCKET L FPM 63	2,4697	0,04460	6,4143	2
111V107	3 WAY V. SOLV. SOCKET L FPM 75	4,8488	0,04836	6,6389	1
111V143	3 WAY V. SOLV. SOCKET T FPM 32	0,708	0,03129	3,9659	4
111V145	3 WAY V. SOLV. SOCKET T FPM 50	1,6154	0,04460	4,7057	2
111V146	3 WAY V. SOLV. SOCKET T FPM 63	2,4697	0,04460	6,4143	2
111V147	3 WAY V. SOLV. SOCKET T FPM 75	4,8488	0,04836	6,6389	1
111V824	3 WAY V. SOLV. SOCKET L FPM 40	0	0,04460	0	2
111V828	3 WAY V. SOLV. SOCKET L FPM 90	5,141	0,04836	6,6551	1
111V834	3 WAY V. SOLV. SOCKET T FPM 40	0	0,04460	0	2
111V838	3 WAY V. SOLV. SOCKET T FPM 90	5,2904	0,04836	6,8341	1





ITEM 853 | SALIDA ENCOLAR - FPM

VITON	f	PESO (g)	DN	Modelo	A	B	C	D	E	PN	MEDIDA
11V103	32	712	25	L	160	72	22	121	114	PN16	MÉTRICO
11V824	40	=C5-9	40	L	214	103	26	155	140	PN16	MÉTRICO
11V105	50	1653	40	L	216	103	31	155	140	PN16	MÉTRICO
11V106	63	2549	50	L	251	120	38	172	140	PN16	MÉTRICO
11V107	75	5008	65	L	308	150	45	218	160	PN10	MÉTRICO
11V828	90	=C7+309	65	L	=F7+24	150	51	218	160	PN10	MÉTRICO
11V143	32	708	25	T	160	72	22	121	114	PN16	MÉTRICO
11V834	40	=C11-9	40	T	214	103	26	155	140	PN16	MÉTRICO
11V145	50	1643	40	T	216	103	31	155	140	PN16	MÉTRICO
11V146	63	2531	50	T	251	120	38	172	140	PN16	MÉTRICO



ITEM 853 | SALIDA ENCOLAR - FPM

11V147	75	4968	65	T	308	150	45	218	160	PN10	MÉTRICO
11V838	90	=C13+309	65	T	=F13+24	150	51	218	160	PN10	MÉTRICO



Product Documents



Product Certificates

Company Certificates

