

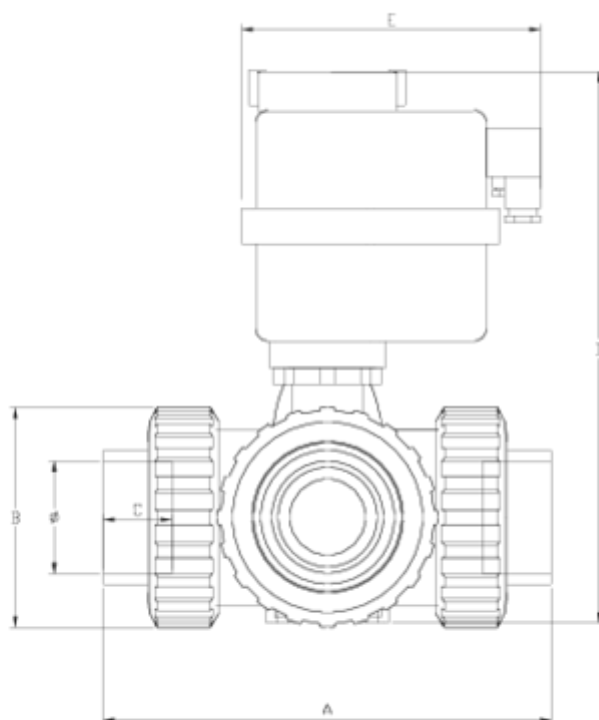


3-Way ball valve

SOLVENT SOCKET OUTLET - 220V ELECTRIC ACTUATOR - PTFE ITEM 857



REFERENCE	DESCRIPTION	Net weight	Volumen (m ³)	Gross weight	Unidades lote
111V203	3 WAY V. ELECT. SOLV. S. L PTFE 32	1,594	0,01782	2,2598	1
111V205	3 WAY V. ELECT. SOLV. S. L PTFE 50	3,4801	0,04460	4,21	1
111V206	3 WAY V. ELECT. SOLV. S. L PTFE 63	5,446	0,03129	6,019	1
111V207	3 WAY V. ELECT. SOLV. S. L PTFE 75	7,2488	0,04836	8,0923	1
111V243	3 WAY V. ELECT. SOLV. S. T PTFE 32	1,594	0,01782	2,26	1
111V245	3 WAY V. ELECT. SOLV. S. T PTFE 50	3,4154	0,04460	4,0812	1
111V246	3 WAY MOTORIZED BALL V. 24-240V. PLAIN "T" PTFE 63	4,928	0,03129	5,501	1
111V247	3 WAY V. ELECT. SOLV. S. T PTFE 75	7,2295	0,04836	7,8235	1
111V764	3 WAY V. ELECT. SOLV. S. L PTFE 40	3,4801	0,04460	4,21	1
111V768	3 WAY V. ELECT. SOLV. S. L PTFE 90	7,583	0,04836	8,5035	1
111V774	3 WAY V. ELECT. SOLV. S. T PTFE 40	3,48	0,04460	0	1
111V778	3 WAY V. ELECT. SOLV. S. T PTFE 90	7,7971	0,04836	8,527	1



ITEM 857 | SOLVENT SOCKET OUTLET - 220V ELECTRIC ACTUATOR - PTFE

PTFE	f	Actuador	PESO (g)	DN	Modelo	A	B	C	D	E	PN	MEDIDA
11V203	32	H10	1612	25	L	160	72	22	220	169	PN16	MÉTRICO
11V764	40	H20	=D5-9	40	L	214	103	26	279	177	PN16	MÉTRICO
11V205	50	H20	3453	40	L	216	103	31	279	177	PN16	MÉTRICO
11V206	63	H35	4449	50	L	251	120	38	318	177	PN16	MÉTRICO
11V207	75	H55	7408	65	L	308	150	45	384	177	PN10	MÉTRICO
11V768	90	H55	=D7+309	65	L	=G7+24	150	51	384	177	PN10	MÉTRICO
11V243	32	H10	1608	25	T	160	72	22	220	169	PN16	MÉTRICO
11V774	40	H20	=D11-9	40	T	214	103	26	279	177	PN16	MÉTRICO
11V245	50	H20	3443	40	T	216	103	31	279	177	PN16	MÉTRICO
11V246	63	H35	4431	50	T	251	120	38	318	177	PN16	MÉTRICO



ITEM 857 | SOLVENT SOCKET OUTLET - 220V ELECTRIC ACTUATOR - PTFE

11V247	75	H55	7368	65	T	308	150	45	384	177	PN10	MÉTRICO
11V778	90	H55	=D13+309	65	T	=G13+24	150	51	384	177	PN10	MÉTRICO



Product Documents



Product Certificates

Company Certificates

