

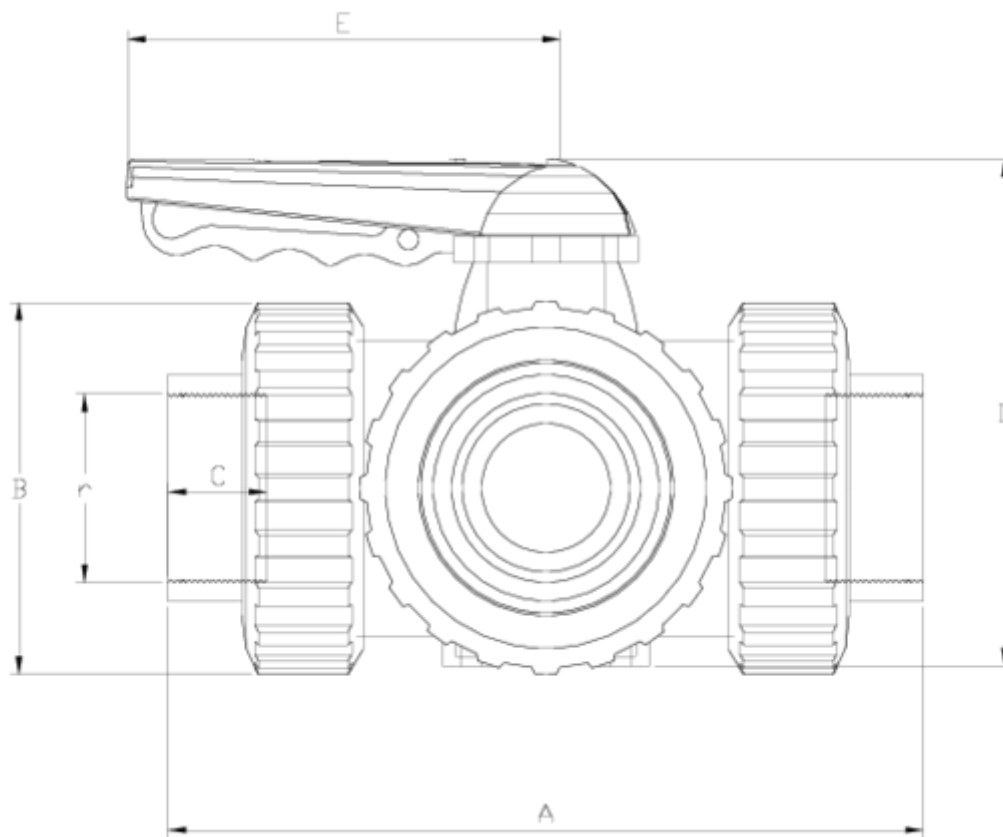


3-Way ball valve

THREADED FEMALE OUTLET ITEM 850

| REFERENCE | DESCRIPTION | Net weight | Volumen (m ³) | Gross weight | Unidades lote |
|-----------|------------------------------------|------------|---------------------------|--------------|---------------|
| 111V013 | 3 WAY V. FEMALE THR. L PTFE 1" | 0,681 | 0,03129 | 3,8579 | 4 |
| 111V015 | 3 WAY V. FEMALE THR. L PTFE 1 1/2" | 1,698 | 0,04460 | 5,25 | 2 |
| 111V016 | 3 WAY V. FEMALE THR. L PTFE 2" | 3,212 | 0,04460 | 7,154 | 2 |
| 111V017 | 3 WAY V. FEMALE THR. L PTFE 2 1/2" | 4,956 | 0,04836 | 6,4951 | 1 |
| 111V053 | 3 WAY V. FEMALE THR. T PTFE 1" | 0,678 | 0,03129 | 3,8459 | 4 |
| 111V055 | 3 WAY V. FEMALE THR.T PTFE 1 1/2" | 1,7621 | 0,04460 | 5,34 | 2 |
| 111V056 | 3 WAY V. FEMALE THR.T PTFE 2" | 2,6151 | 0,04460 | 7,046 | 2 |
| 111V057 | 3 WAY V. FEMALE THR.T PTFE 2 1/2" | 5,1114 | 0,04836 | 6,6551 | 1 |





ITEM 850 | THREADED FEMALE OUTLET

| PTFE | r | PESO (g) | DN | Modelo | A | B | C | D | E | PN | TIPO ROSCA |
|--------|--------|----------|----|--------|-----|-----|----|-----|-----|------|------------|
| 11V013 | 1" | 736 | 25 | L | 162 | 72 | 23 | 121 | 114 | PN16 | BSP |
| 11V015 | 1 1/2" | 1731 | 40 | L | 210 | 103 | 33 | 155 | 140 | PN16 | BSP |
| 11V016 | 2" | 2618 | 50 | L | 261 | 120 | 29 | 172 | 140 | PN16 | BSP |
| 11V017 | 2 1/2" | 5113 | 65 | L | 322 | 150 | 33 | 218 | 160 | PN10 | BSP |
| 11V053 | 1" | 732 | 25 | T | 162 | 72 | 23 | 121 | 114 | PN16 | BSP |
| 11V055 | 1 1/2" | 1721 | 40 | T | 210 | 103 | 33 | 155 | 140 | PN16 | BSP |
| 11V056 | 2" | 2600 | 50 | T | 261 | 120 | 29 | 172 | 140 | PN16 | BSP |
| 11V057 | 2 1/2" | 5073 | 65 | T | 322 | 150 | 33 | 218 | 160 | PN10 | BSP |



Product Documents



Product Certificates

Company Certificates

