

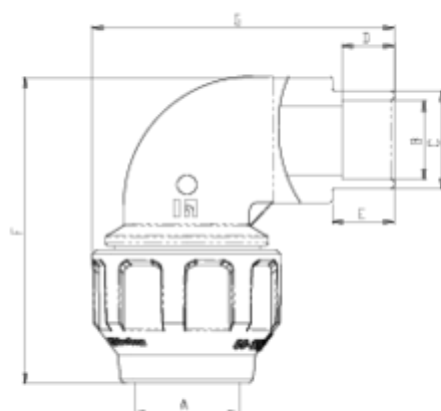


PP compression fittings

90° elbow pe-pvc transition union ITEM 996

REFERENCE	DESCRIPTION	Net weight	Volumen (m ³)	Gross weight	Unidades lote
112E765		0,5649	0,04717	6,2908	10
112E766		1,0079	0,04717	5,6813	5





ITEM 996 | 90° elbow pe-pvc transition union

Código	A	Peso (g)	B	C	D	E	F	G	PN
12E765	50	=175+393	40	50	26	31	154	152	PN16
12E766	63	=320+708	50	60	32	38	188	180	PN16



Product Documents



Product Certificates

Company Certificates

