



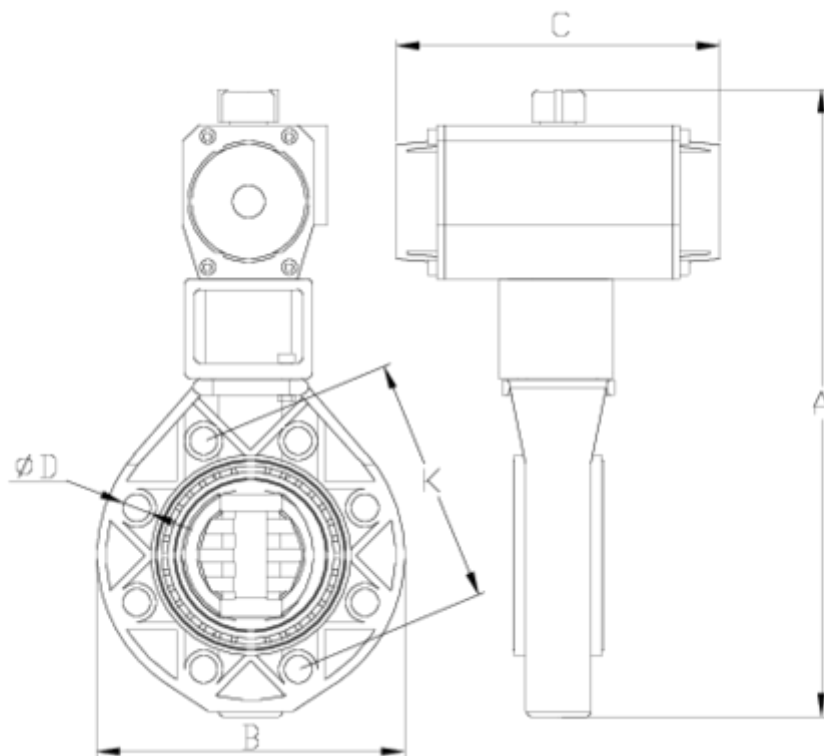
PVC-U pressure fittings

90° tee solvent socket-male thread

ITEM 203

REFERENCE	DESCRIPTION	Net weight	Volumen (m ³)	Gross weight	Unidades lote
1002414	TEE 90° PLAIN-MALE TH-PLAIN 50 1 1/2"	0,216416	0,03682	11,37	50
1002415	TEE 90° PLAIN-MALE TH-PLAIN 63-2"	0,34235	0,03129	7,42	20





ITEM 203 | 90° tee solvent socket-male thread

CÓDIGO	A-a	PESO (g)	B	C	D	PN	MEDIDA
02414	50-1 1/2"	188	61	22	114	PN10	BSP
02415	63-2"	295	76	26	141	PN10	BSP



Product Documents



Product Certificates



Company Certificates

