

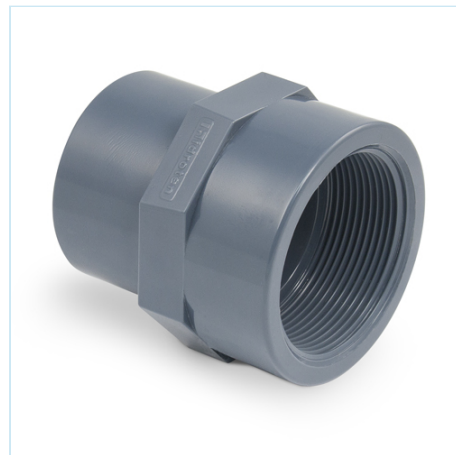


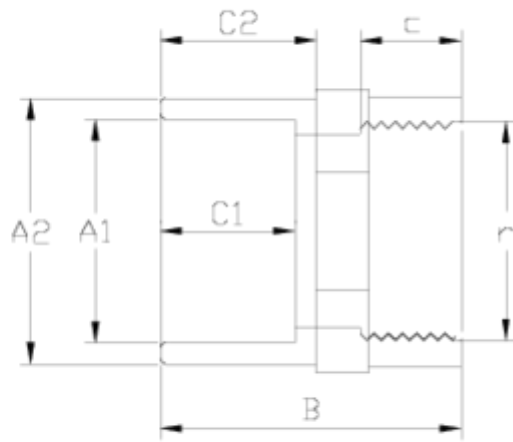
PVC-U pressure fittings

Adaptor nipple

ITEM 905

REFERENCE	DESCRIPTION	Net weight	Volumen (m ³)	Gross weight	Unidades lote
1002125	ADAPTOR NIPPLE 50-63-2"	0,1944	0,03129	10,295	50





ITEM 905 | Adaptor nipple

Código	A1-A2 x r	Peso (g)	B	C1	C2	c	PN	ROSCA
02125	50-63x2"	195	81	31	38	28	PN10	BSP



Product Documents



Product Certificates



Company Certificates

