



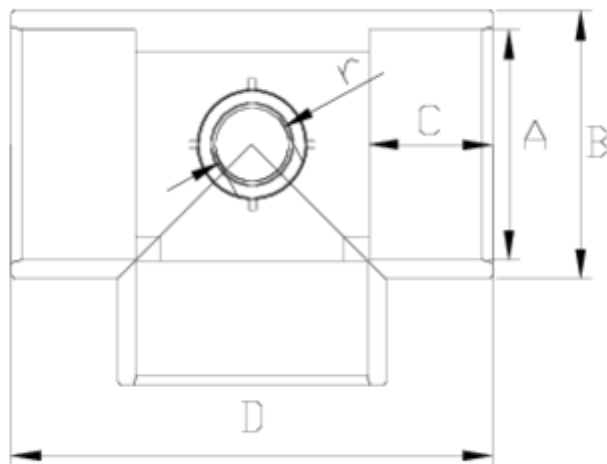
PVC-U pressure fittings

"AIR L" tee

ITEM 966

REFERENCE	DESCRIPTION	Net weight	Volumen (m ³)	Gross weight	Unidades lote
1001513	"AIR-L" 90° TEE SOLV. SOCKET 90-1"	0,99542	0,04717	10,596	10
1001514	"AIR-L" 90° TEE SOLV. SOCKET 110-3/4"	1,694	0,08677	17,96	10





ITEM 966 | "AIR L" tee

Código	A-r	Peso (g)	B	C	D	PN	MEDIDA
01510	63-1/2"	234	76	38	143	PN16	MÉTRICO
01511	63-3/4"	229	76	38	143	PN16	MÉTRICO
01512	90 -3/4"	1013	108	51	199	PN16	MÉTRICO
01513	90-1"	1013	108	51	199	PN16	MÉTRICO
01514	110-3/4"	1732	131	61	238	PN16	MÉTRICO
01515	110-1"	1732	131	61	238	PN16	MÉTRICO



Product Documents



Product Certificates



Company Certificates

