

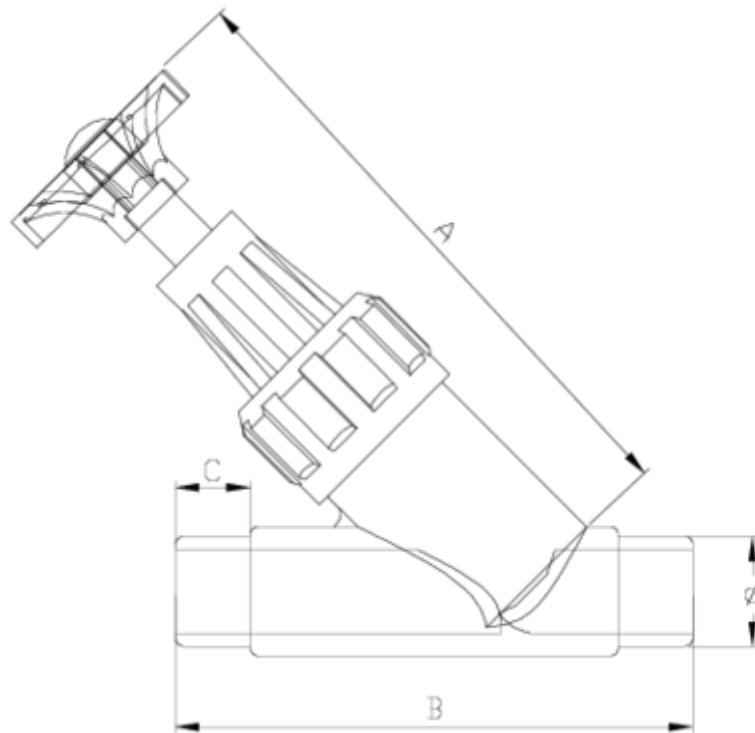


## Angle seat valves and filters

# Angle seat valve, male solvent socket outlet ITEM 444

REFERENCE	DESCRIPTION	Net weight	Volumen (m <sup>3</sup> )	Gross weight	Unidades lote
1021001	ANGLE SEAT V. MALE SOLV. SOCKET O. 20	0,15985	0,03648	3,015	10
1021002	ANGLE SEAT V. MALE SOLV. SOCKET O. 25	0,34998	0,03648	4,086	10
1021003	ANGLE SEAT V. MALE SOLV. SOCKET O. 32	0,37755	0,03648	5,178	10





## ITEM 444 | Angle seat valve, male solvent socket outlet

CÓDIGO	f	DN	Peso (g)	A	B	C	PN	MEDIDA
21001	20	15	164	146	114	16	PN16	MÉTRICO
21002	25	20	236	173	134	19	PN16	MÉTRICO
21003	32	25	397	195	152	22	PN16	MÉTRICO



## Product Documents



## Product Certificates

## Company Certificates

