

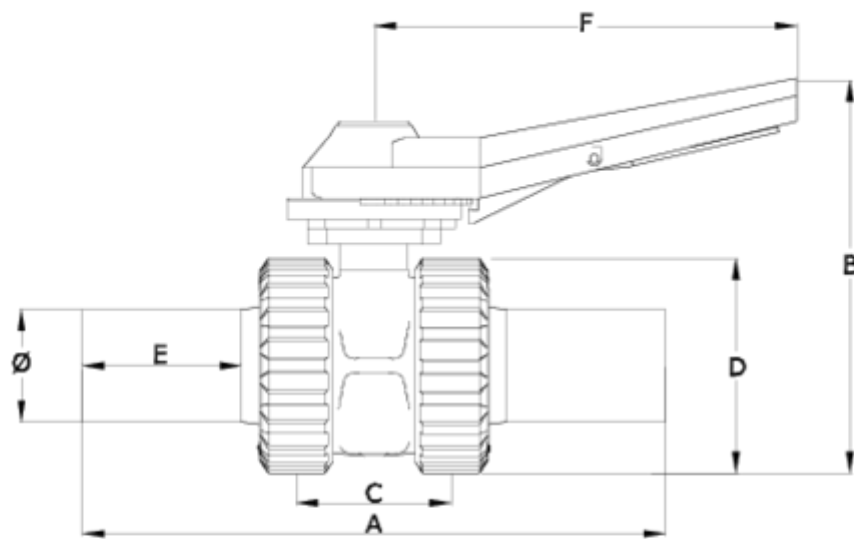


'Basic' ball valves

Thermofusion outlet - PTFE - Catch handle system ITEM 500

REFERENCE	DESCRIPTION	Net weight	Volumen (m ³)	Gross weight	Unidades lote
1011884	PTFE BALL V. CATCH HANDLE THERMO O. 63	1,718	0,03682	7,502	4
1011885	PTFE BALL V. CATCH HANDLE THERMO O.75	3,32125	0,06347	14,115	4
1011886	PTFE BALL V. CATCH HANDLE THERMO O. 90	4,98785	0,04879	10,551	2
1011887	PTFE BALL V. CATCH HANDLE THERMO O. 110	5,9	0,04460	12,66	2
1011888	PTFE BALL V. CATCH HANDLE THERMO O. 125	10,9895	0,06149	11,91	1





ITEM 500 | Thermofusion outlet - PTFE - Catch handle system

CÓDIGO	f tubo	PESO (g)	DN	A	B	C	D	E	F	PN	MEDIDA
11884	63	1718	50	328	220	90	121	89	235	PN16	MÉTRICO
11885	75	3140	65	366	250	121	151	95	235	PN10	MÉTRICO
11886	90	4720	80	397	271	141	175	97	235	PN10	MÉTRICO
11887	110	5900	100	435	287	155	210	102	270	PN10	MÉTRICO
11888	125	7985	113	640	323	161	228	135	270	PN10	MÉTRICO



Product Documents



Product Certificates

Company Certificates

