



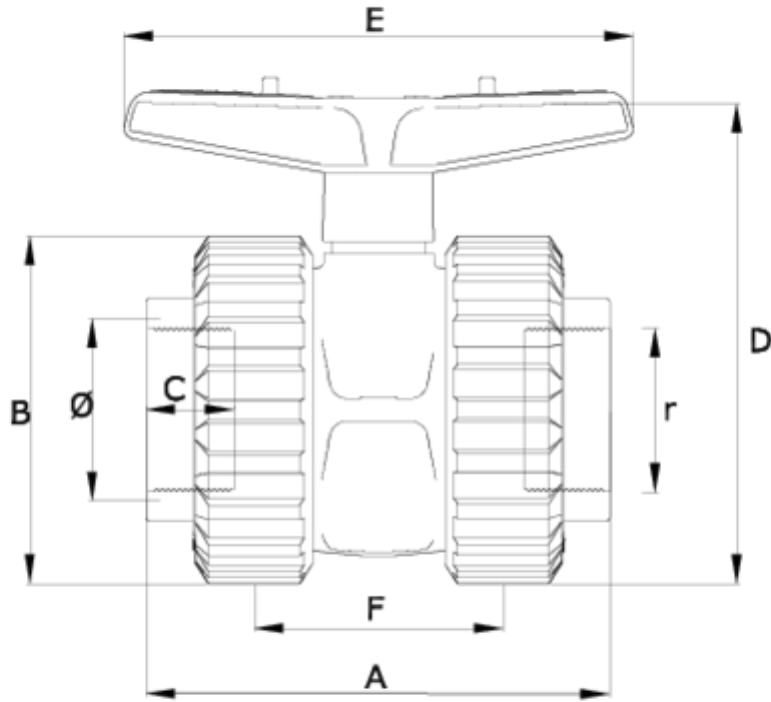
## 'basic' bi-directional ball valve

# Female threaded outlet - FPM

## ITEM 651

REFERENCE	DESCRIPTION	Net weight	Volumen (m <sup>3</sup> )	Gross weight	Unidades lote
111D492	FPM BIDIR.BASIC BALL.VALV.F/THREADED 1/2"	0,152	0,01553	6,4067	40
111D493	FPM BIDIR.BASIC BALL.VALV.F/THREADED 3/4"	0,202	0,02244	8,5677	40
111D494	FPM BIDIR.BASIC BALL.VALV.F/THREADED 1"	0,344	0,03129	10,893	30
111D495	FPM BIDIR.BASIC BALL.VALV.F/THREADED 1 1/4"	0,584	0,03129	12,253	20
111D496	FPM BIDIR.BASIC BALL.VALV.F/THREADED 1 1/2"	0,836	0,03129	13,113	15
111D497	FPM BIDIR.BASIC BALL.VALV.F/THREADED 2"	1,371	0,03682	14,2592	10
111D498	V.BOLA BIDIRECCIONAL R/H 2 1/2" FPM	2,793	0,03129	11,745	4
111D499	V.BOLA BIDIRECCIONAL R/H 3" FPM	4,41	0,02243	8,82	2







CODIGO	T	(g)	DN	A	B	C	D	E	F	PN	ROSCA
11D492	1/2"	154	15	86	55	17	74	80	44	PN16	BSP
11D493	3/4"	194	20	99	62	20	80	80	49	PN16	BSP
11D494	1"	315	25	122	72	23	103	101	66	PN16	BSP
11D495	1 1/4"	540	32	131	88	26	125	130	71	PN16	BSP
11D496	1 1/2"	816	40	155	103	33	138	130	75	PN16	BSP
11D497	2"	1304	50	180	120	29	177	170	89	PN16	BSP
11D498	2 1/2"	2710	65	202	150	33	215	260	119	PN10	BSP
11D499	3"	4360	80	232	181	36	252	260	140	PN10	BSP



## Product Documents



## Product Certificates

## Company Certificates

