



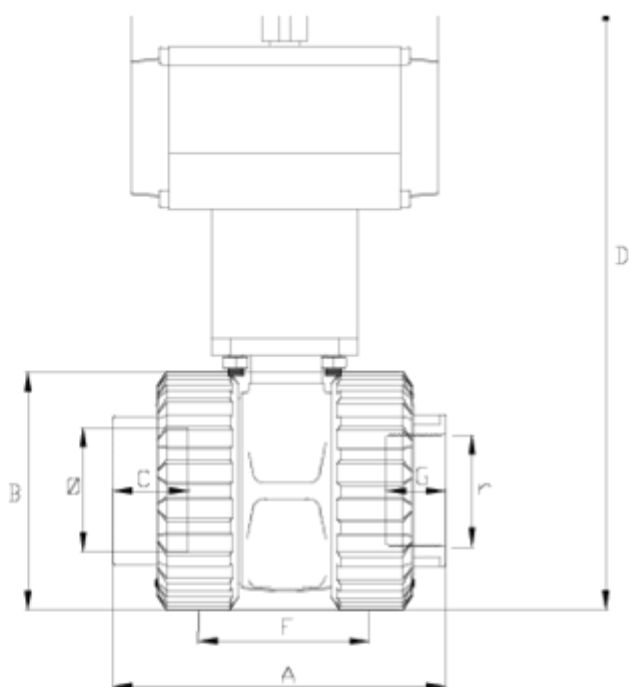
'basic' bi-directional ball valve

Plain/threaded outlet - double acting spring return actuator - FPM

ITEM 679



REFERENCE	DESCRIPTION	Net weight	Volumen (m ³)	Gross weight	Unidades lote
111D680	FPM BALL V.DOUB.ACT.PNEUM.ACCT.SS/FT.OUT.20-1/2"	0,8615	0,01553	1,1882	1
111D681	FPM BALL V.DOUB.ACT.PNEUM.ACCT.SS/FT.OUT.25-3/4"	0,9215	0,02243	1,4092	1
111D682	FPM BALL V.DOUB.ACT.PNEUM.ACCT.SS/FT.OUT.32-1"	1,8454	0,03129	2,4184	1
111D683	VIT.BALL V.DOUB.ACT.PNEUM.ACCT.SS/FT.OUT.40-1 1/4"	2,099	0,03129	2,672	1
111D684	VIT.BALL V.DOUB.ACT.PNEUM.ACCT.SS/FT.OUT.50-1 1/2"	2,475	0,03129	3,048	1
111D685	FPM BALL V.DOUB.ACT.PNEUM.ACCT.SS/FT.OUT.63-2"	3,022	0,00891	3,2094	1
111D686	V.B.BID.ACT.N D/E S/MIXTA 2 1/2" FPM	5,678	0,04460	0	1
111D687	V.B.BID.ACT.N D/E S/MIXTA 3" FPM	7,19	0,04460	0	1

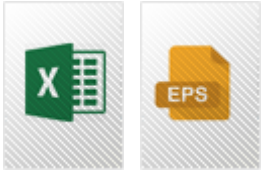


ITEM 679 | Plain/threaded outlet - double acting spring return actuator - FPM

CÓDIGO	f - r	Actuador	PESO (g)	DN	A	B	C	D	E	F	G	PN	TIPO ROSCA
11D680	20-1/2"	H050DE	1285	15	86	55	16	192	138	44	17	PN16	BSP
11D681	25-3/4"	H050DE	1333	20	99	62	19	197	138	49	20	PN16	BSP
11D682	32-1"	H050DE	1478	25	122	72	23	209	138	66	23	PN16	BSP
11D683	40-1 1/4"	H050DE	1748	32	131	88	25	232	138	71	26	PN16	BSP
11D684	50-1 1/2"	H050DE	2079.2	40	155	103	31	249	138	75	33	PN16	BSP
11D685	63-2"	H050DE	2664.8	50	180	120	38	291	138	89	29	PN16	BSP
11D686	75-2 1/2"	H075DE	5580	65	202	150	45	375	210	119	33	PN10	BSP
11D687	90-3"	H075DE	7190	80	245	181	51	402	210	140	36	PN10	BSP



Product Documents



Product Certificates

Company Certificates

