



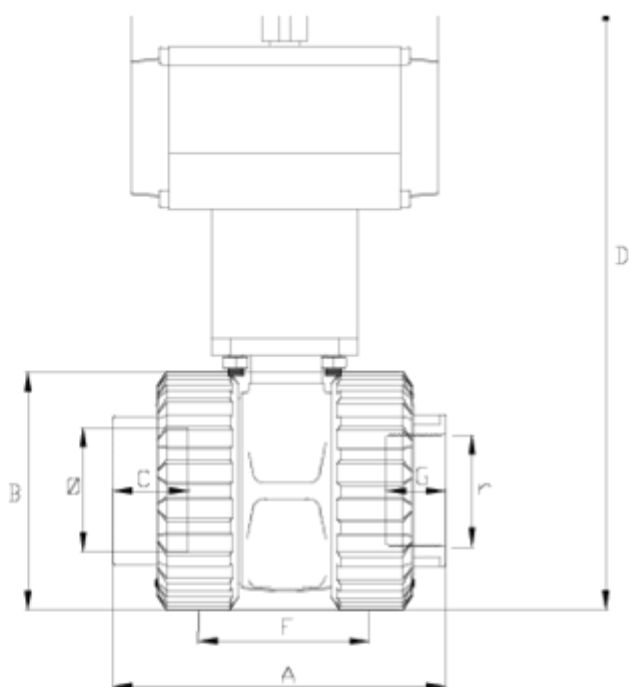
'basic' bi-directional ball valve

Plain/threaded outlet - single acting spring return actuator - FPM

ITEM 674



REFERENCE	DESCRIPTION	Net weight	Volumen (m ³)	Gross weight	Unidades lote
111D580	VIT.B.VAL.SIM.ACT.PNEU.ACCT.S.S./F.T.OUT.20-1/2"	1,6115	0,01553	1,9382	1
111D581	VIT.B.VAL.SIM.ACT.PNEU.ACCT.S.S./F.T.OUT. 25-3/4"	1,6715	0,02243	2,1592	1
111D582	VIT.B.VAL.SIM.ACT.PNEU.ACCT.S.S./F.T.OUT.32-1"	1,8454	0,03129	2,4184	1
111D583	VIT.B.VAL.SIM.ACT.PNEU.ACCT.S.S./F.T.OUT.40-1 1/4"	2,699	0,03129	3,272	1
111D584	VIT.B.VAL.SIM.ACT.PNEU.ACCT.S.S./F.T.OUT.50-1 1/2"	3,075	0,03129	3,648	1
111D585	VIT.B.VAL.SIM.ACT.PNEU.ACCT.S.S./F.T.OUT.63-2"	3,622	0,03648	4,216	1
111D586	V.B.BID.ACT.N S/E S/MIXTA 2 1/2" FPM	5,678	0,04460	0	1
111D587	V.B.BID.ACT.N S/E S/MIXTA 3" FPM	11,54	0,04460	0	1

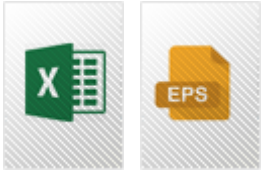


ITEM 674 | Plain/threaded outlet - single acting spring return actuator - FPM

CÓDIGO	f -r	Actuador	PESO (g)	DN	A	B	C	D	E	F	G	PN	TIPO ROSCA
11D580	20-1/2"	H050SE	1384.8	15	86	55	16	192	138	44	17	PN16	BSP
11D581	25-3/4"	H050SE	1428.92	20	99	62	19	197	138	49	20	PN16	BSP
11D582	32-1"	H050SE	1562.25	25	122	72	23	208	138	66	23	PN16	BSP
11D583	40-1 1/4"	H063SE	2421	32	131	88	25	248	155	71	26	PN16	BSP
11D584	50-1 1/2"	H063SE	2713.92	40	155	103	31	265	155	75	33	PN16	BSP
11D585	63-2"	H063SE	3234.4	50	180	120	38	307	155	89	29	PN16	BSP
11D586	75-2 1/2"	H075SE	6050	65	202	150	45	376	210	119	33	PN10	BSP
11D587	90-3"	H100SE	11110	80	245	181	51	426	280	140	36	PN10	BSP



Product Documents



Product Certificates

Company Certificates

