



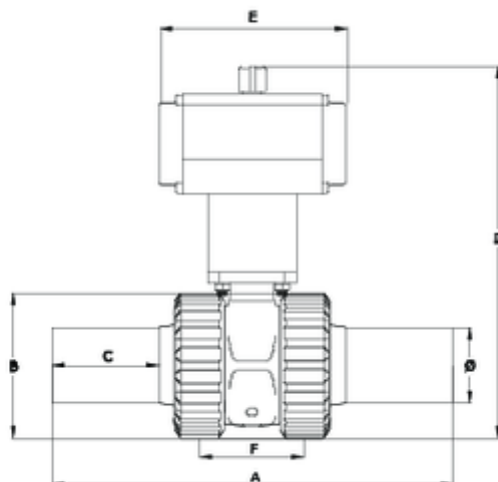
'basic' bi-directional ball valve

Thermofusion outlet - single acting spring return actuator - PTFE

ITEM 689



REFERENCE	DESCRIPTION	Net weight	Volumen (m ³)	Gross weight	Unidades lote
111D700	BALL V.SING.ACT.PNEUM.ACCT.THERMO FUSION.OUT.20	1,6203	0,03648	1,6203	1
111D701	BALL V.SING.ACT.PNEUM.ACCT.THERMO FUSION.OUT.25	1,6675	0,03648	1,6675	1
111D702	BALL V.SING.ACT.PNEUM.ACCT.THERMO FUSION.OUT.32	1,855	0,03648	1,855	1
111D703	BALL V.SING.ACT.PNEUM.ACCT.THERMO FUSION.OUT.40	2,716	0,03648	2,716	1
111D704	BALL V.SING.ACT.PNEUM.ACCT.THERMO FUSION.OUT.50	3,3943	0,01553	3,721	1
111D705	BALL V.SING.ACT.PNEUM.ACCT.THERMO FUSION.OUT.63	3,602	0,04460	3,602	1
111D706	V.B.BID.ACT.NEUM.S/E S/TERMO 75	5,568	0,02243	0	1
111D707	V.B.BID.ACT.NEUM.S/E S/TERMO 90	11,43	0,02243	11,9177	1



ITEM 689 | Thermofusion outlet - single acting spring return actuator - PTFE

CÓDIGO	f	Actuador	PESO (g)	DN	A	B	C	D	E	F	PN	MEDIDA
11D700	20	H050SE	1386	15	212	55	65	192	138	44	PN16	MÉTRICO
11D701	25	H050SE	1428.92	20	221	62	65	197	138	49	PN16	MÉTRICO
11D702	32	H050SE	1558.8	25	256	72	70	208	138	66	PN16	MÉTRICO
11D703	40	H063SE	2418.7	32	261	88	70	248	155	71	PN16	MÉTRICO
11D704	50	H063SE	2675.84	40	285	103	79	265	155	75	PN16	MÉTRICO
11D705	63	H063SE	3139.8	50	327	120	89	307	155	89	PN16	MÉTRICO
11D706	75	H075SE	6020	65	369	150	91	376	210	119	PN10	MÉTRICO
11D707	90	H100SE	11050	80	410	181	100	426	280	140	PN10	MÉTRICO



Product Documents



Product Certificates

Company Certificates

