

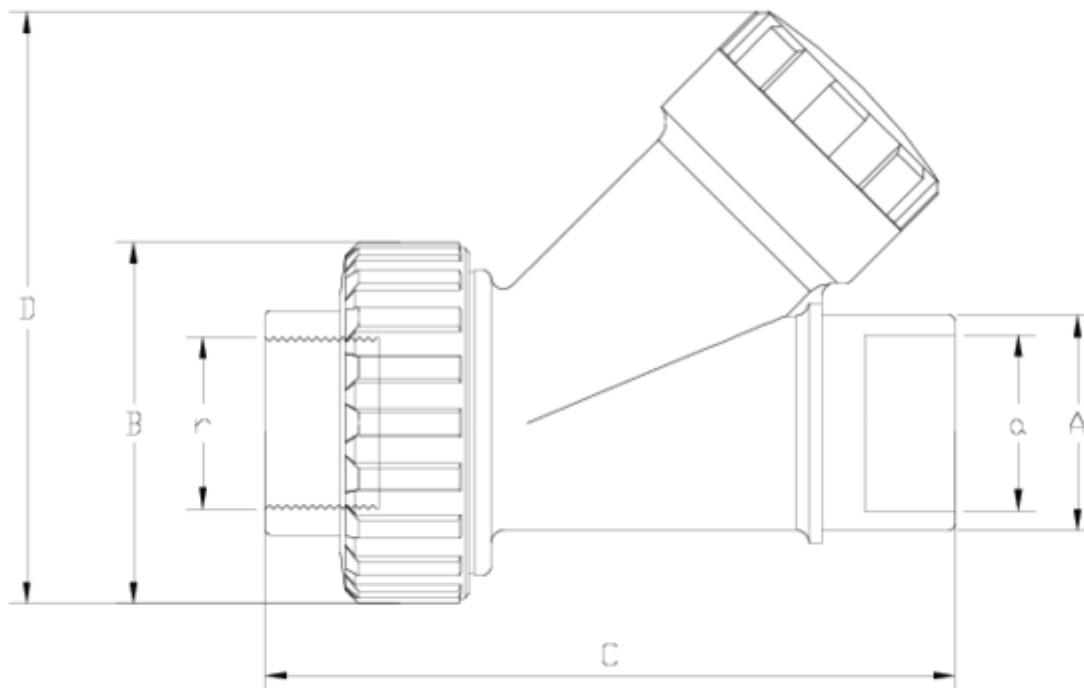


"Ball" Check valve

Check valve "Ball" solvent socket/female threaded outlet ITEM 685



REFERENCE	DESCRIPTION	Net weight	Volumen (m ³)	Gross weight	Unidades lote
1022023	BALL CHECK V. PLAIN/FEMALE THR.32-1"	0,3671	0,02244	7,83	20
1022024	BALL CHECK V. PLAIN/FEMALE THR.40-1 1/4"	0,515487	0,02244	8,34	15
1022025	BALL CHECK V. PLAIN/FEMALE THR.50-1 1/2"	0,943213	0,04717	14,79	15
1022026	BALL CHECK V. PLAIN/FEMALE THR.63-2"	1,546	0,02244	6,68	4
1022027	BALL CHECK V. PLAIN/FEMALE THR.75-2 1/2"	2,4242	0,03129	10,27	4
1022028	BALL CHECK V. PLAIN/FEMALE THR.90-3"	3,9485	0,03129	8,47	2



ITEM 685 | Check valve "Ball" solvent socket/female threaded outlet

CÓDIGO	a-r	Peso (g)	DN	A	B	C	D	PN	TIPO ROSCA
22023	32-1"	342	25	40	72	140	127	PN10	BSP
22024	40-1 1/4"	534	32	50	88	161	145	PN10	BSP
22025	50-1 1/2"	855	40	63	103	183	170	PN10	BSP
22026	63-2"	1480	50	75	120	220	220	PN10	BSP
22027	75-2 1/2"	2415	65	90	150	255	255	PN10	BSP
22028	90=3"	3905	80	110	181	315	280	PN10	BSP



Product Documents



Product Certificates



Company Certificates

