



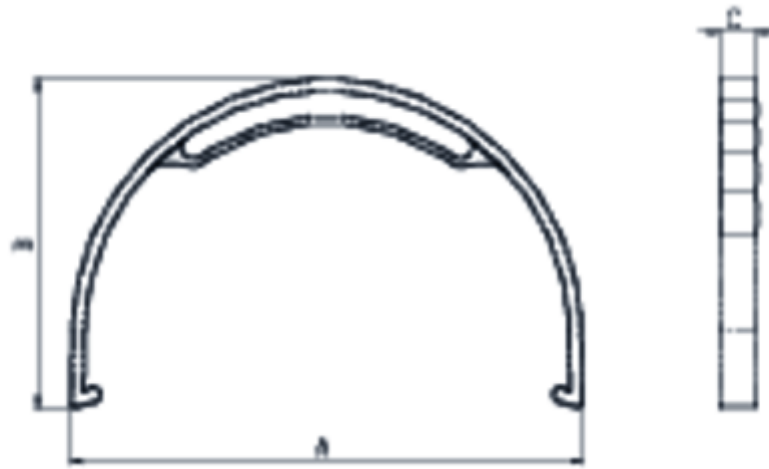
Pipe clips / PVC-U solvent cement and cleaning fluids

Closed clip

ITEM 883

REFERENCE	DESCRIPTION	Net weight	Volumen (m ³)	Gross weight	Unidades lote
1091445	SADDLE CLIP 50	0,005	0,00892	0,4171	60
1091446	SADDLE CLIP 63	0,007	0,00892	0,3971	40
1091447	SADDLE CLIP 75	0,01	0,00472	0,4171	30
1091448	SADDLE CLIP 90	0,015	0,00472	0,4171	20
1091449	SADDLE CLIP 110	0,017	0,00472	0,3721	15
1091450	SADDLE CLIP 125	0,022	0,00800	0,5174	15
1091451	SADDLE CLIP 140	0,02829	0,00472	0,4	10
1091452	SADDLE CLIP 160	0,034	0,00891	0,5274	10
1091453	SADDLE CLIP 200	0,061	0,00891	0,6754	8
1091454	SADDLE CLIP 225	0,084	0,00891	0,5234	4
1091455	SADDLE CLIP 250	0,108	0,01553	0,7587	4
1091456	SADDLE CLIP 315	0,178	0,01553	0,6827	2





ITEM 883 | Closed clip

Código	d	Peso (g)	A	B	C
91445	50	5	68	50	9
91446	63	7	85	61	9
91447	75	11	98	79	11
91448	90	14	116	92	15
91449	110	17	142	106	15
91450	125	26	153	115	16
91451	140	40	175	126	17
91452	160	50	195	142	17
91453	200	55	238	168	20
91454	225	81	281	180	20



ITEM 883 | Closed clip

91455

250

100

312

196

22



Product Documents



Product Certificates

Company Certificates

