



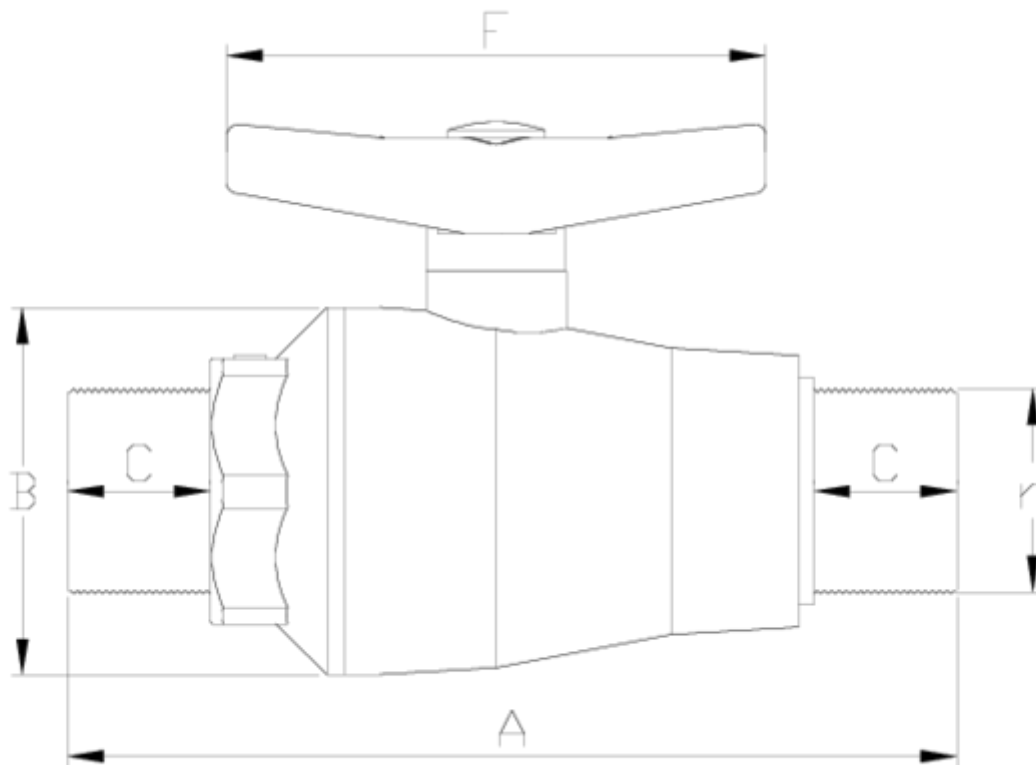
## 'Compact' ball valves

# Male thread outlet FPM

## ITEM 719

REFERENCE	DESCRIPTION	Net weight	Volumen (m <sup>3</sup> )	Gross weight	Unidades lote
111C110	GFPP COMP.B.VALV. M/THREADED OUTLET 1/2" FPM	0,11	0,00892	2,2	20
111C111	GFPP COMP.B.VALV. M/THREADED OUTLET 3/4" FPM	0,141	0,00892	2,688	20
111C112	GFPP COMP.B.VALV. M/THREADED OUTLET 1" FPM	0,217	0,01553	4,11	15





## ITEM 719 | Male thread outlet FPM

CÓDIGO	r	DN	PESO (g)	A	B	C	F	PN	TIPO ROSCA
11C110	1/2"	15	110	110	48	14	80	PN10	BSP
11C111	3/4"	20	141	123	53	17	80	PN10	BSP
11C112	1"	25	217	139	59	19	101	PN10	BSP



## Product Documents



## Product Certificates

## Company Certificates

