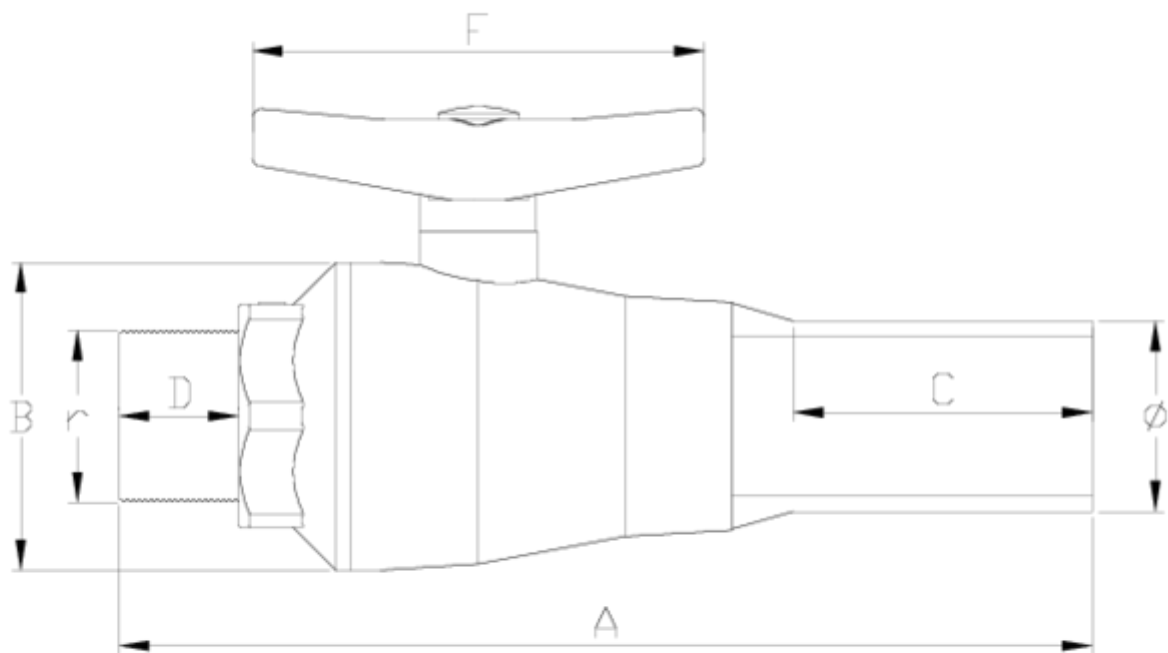




'Compact' ball valves male threaded outlet - PE ITEM 571

REFERENCE	DESCRIPTION	Net weight	Volumen (m ³)	Gross weight	Unidades lote
111C050	GFPP COMP.B.VALV. PE- MALE THREADED OUTLET 20-1/2"	0,123	0,00892	2,6	20
111C051	PE- MALE THREADED OUTLET 25-3/4"	0,158	0,00892	3,3	20
111C052	PE- MALE THREADED OUTLET 32-1"	0,2591	0,01553	4,214	15





ITEM 571 | male threaded outlet - PE

CÓDIGO	Ø-r	DN	PESO (g)	A	B	C	D	F	PN	TIPO ROSCA
11C050	20-1/2"	15	123.13	180	48	65	14	80	PN10	BSP
11C051	25-3/4"	20	157.78	193	53	65	17	80	PN10	BSP
11C052	32-1"	25	260	216	59	70	19	101	PN10	BSP



Product Documents



Product Certificates

Company Certificates

