



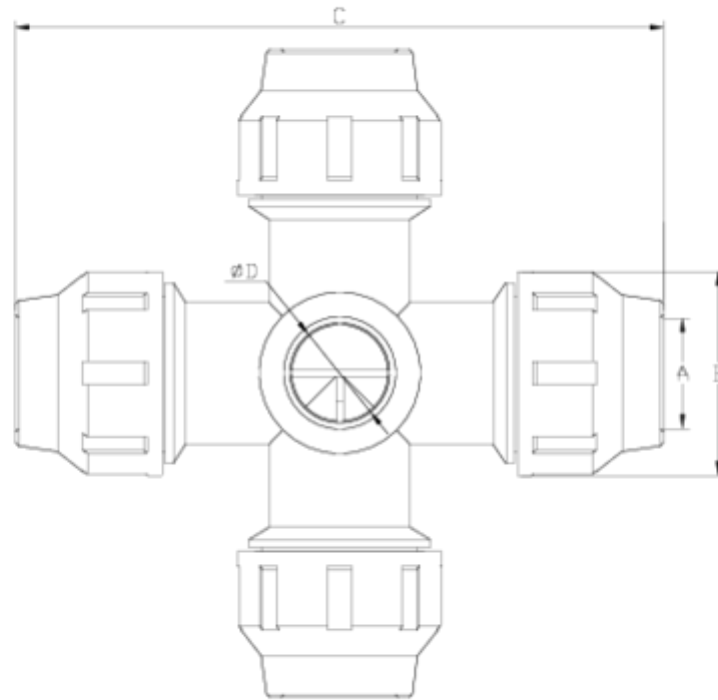
PP compression fittings

"AIR" 90° cross

ITEM 553

REFERENCE	DESCRIPTION	Net weight	Volumen (m ³)	Gross weight	Unidades lote
112E260	"AIR" 90° CROSS EQUAL OUTLETS 20-1/2"	0,162	0,02244	2,97	15
112E261	"AIR" 90° CROSS EQUAL OUTLETS 20-3/4"	0,165	0,02244	3,015	15
112E262	"AIR" 90° CROSS EQUAL OUTLETS 25-1/2"	0,26	0,03129	4,46	15
112E263	"AIR" 90° CROSS EQUAL OUTLETS 25-3/4"	0,26	0,03129	4,46	15
112E264	"AIR" 90° CROSS EQUAL OUTLETS 32-1/2"	0,388	0,03648	6,52	15
112E265	"AIR" 90° CROSS EQUAL OUTLETS 32-3/4"	0,392	0,03648	6,58	15





ITEM 553 | "AIR" 90° cross

Código	f tubo - D	Peso (g)	A	B	C	PN	MEDIDA
12E260	20 - 1/2"	162	21	46	167	PN16	BSP
12E261	20 - 3/4"	165	21	46	167	PN16	BSP
12E262	25 - 1/2"	266	26	55	182	PN16	BSP
12E263	25 - 3/4"	269	26	55	182	PN16	BSP
12E264	32 - 1/2"	388	33	64	198	PN16	BSP
12E265	32 - 3/4"	392	33	64	198	PN16	BSP



Product Documents



Product Certificates

Company Certificates

