



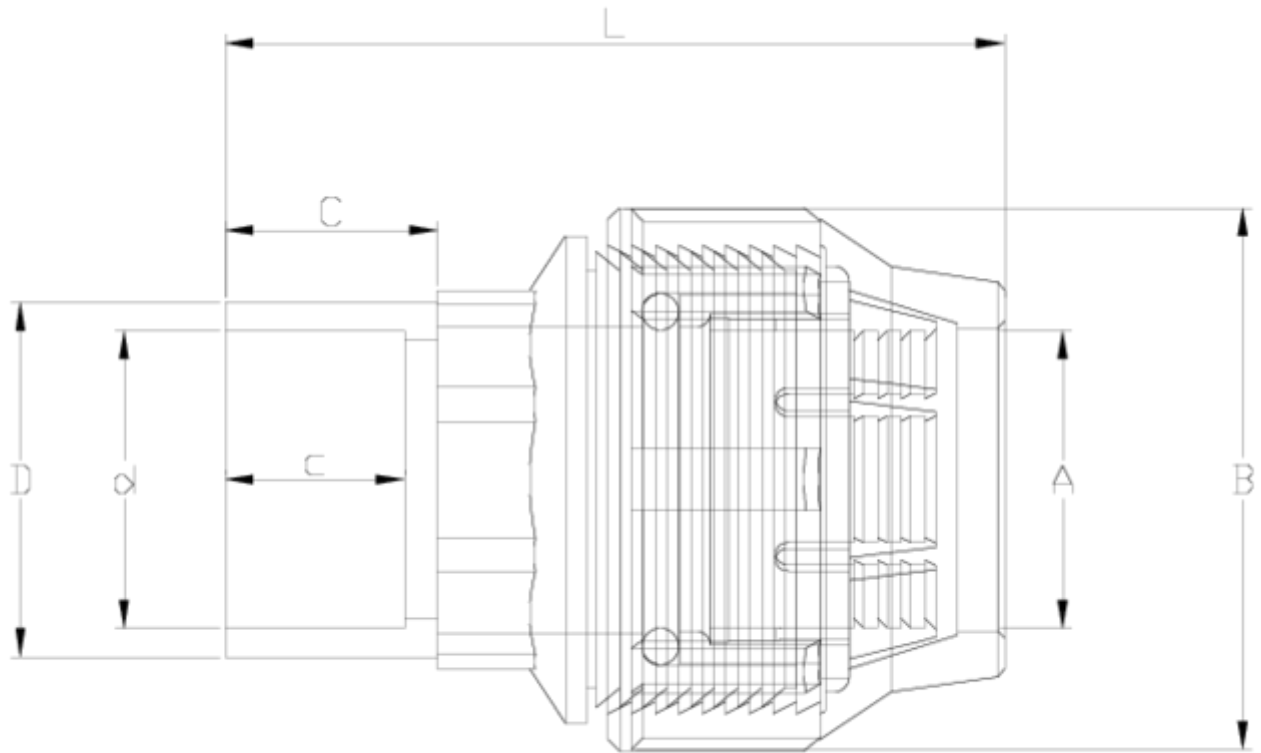
## PP compression fittings

# PE-PVC TRANSITION UNION

## ITEM 538

REFERENCE	DESCRIPTION	Net weight	Volumen (m <sup>3</sup> )	Gross weight	Unidades lote
112E322	PE-PVC TRANSITION COUPLING 32 GREY	0,1317	0,01553	3,5529	25
112E324	PE-PVC TRANSITION COUPLING 50 GREY	0,3784	0,03129	7,3392	18
112E325	PE-PVC TRANSITION COUPLING 63 GREY	0,6239	0,03129	8,06	12





## ITEM 538 | PE-PVC TRANSITION UNION

Código	A-d-D	Peso (g)	B	c	C	L	PN	MEDIDA
12E322	32-32-40	131	64	22	26	102	PN16	MÉTRICO
12E324	50-50-63	375	91	31	38	135	PN16	MÉTRICO
12E325	63-63-75	650	109	38	45	165	PN10	MÉTRICO



## Product Documents



## Product Certificates

## Company Certificates

