

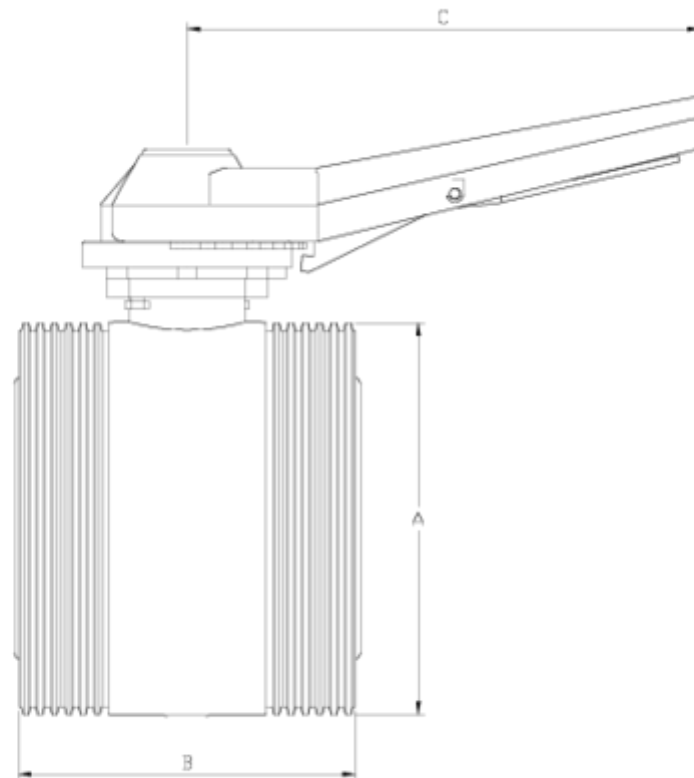


Spare parts

FPM main body catch handle system basic ball valve ITEM 242

REFERENCE	DESCRIPTION	Net weight	Volumen (m ³)	Gross weight	Unidades lote
1011614	FPM CATCH HANDLE MAIN BODY, BALL V. 63	1,2	0,03682	5,45	4
1011615	FPM CATCH HANDLE MAIN BODY, BALL V. 75	1,991	0,03129	8,524	4
1011616	FPM CATCH HANDLE MAIN BODY, BALL V. 90	2,759	0,03129	11,596	4
1011617	FPM CATCH HANDLE MAIN BODY, BALL V. 110	3,13	0,02244	6,8	2
1011618	FPM CATCH HANDLE MAIN BODY, BALL V. 125	4,785	0,03129	10,13	2





ITEM 242 | FPM main body catch handle system basic ball valve

CÓDIGO	f tubo	PESO (g)	DN	A	B	C	PN	MEDIDA
11614	63	1060	50	98	89	235	PN16	MÉTRICO
11615	75	1950	50	127	119	235	PN10	MÉTRICO
11616	90	2750	65	151	140	235	PN10	MÉTRICO
11617	110	3125	100	180	155	270	PN10	MÉTRICO
11618	125	5000	113	200	161	330	PN10	MÉTRICO
11780	125	5200	113	224	161	330	PN10	MÉTRICO
11781	140	6500	125	251	195	330	PN10	MÉTRICO



Product Documents



Product Certificates

Company Certificates

