



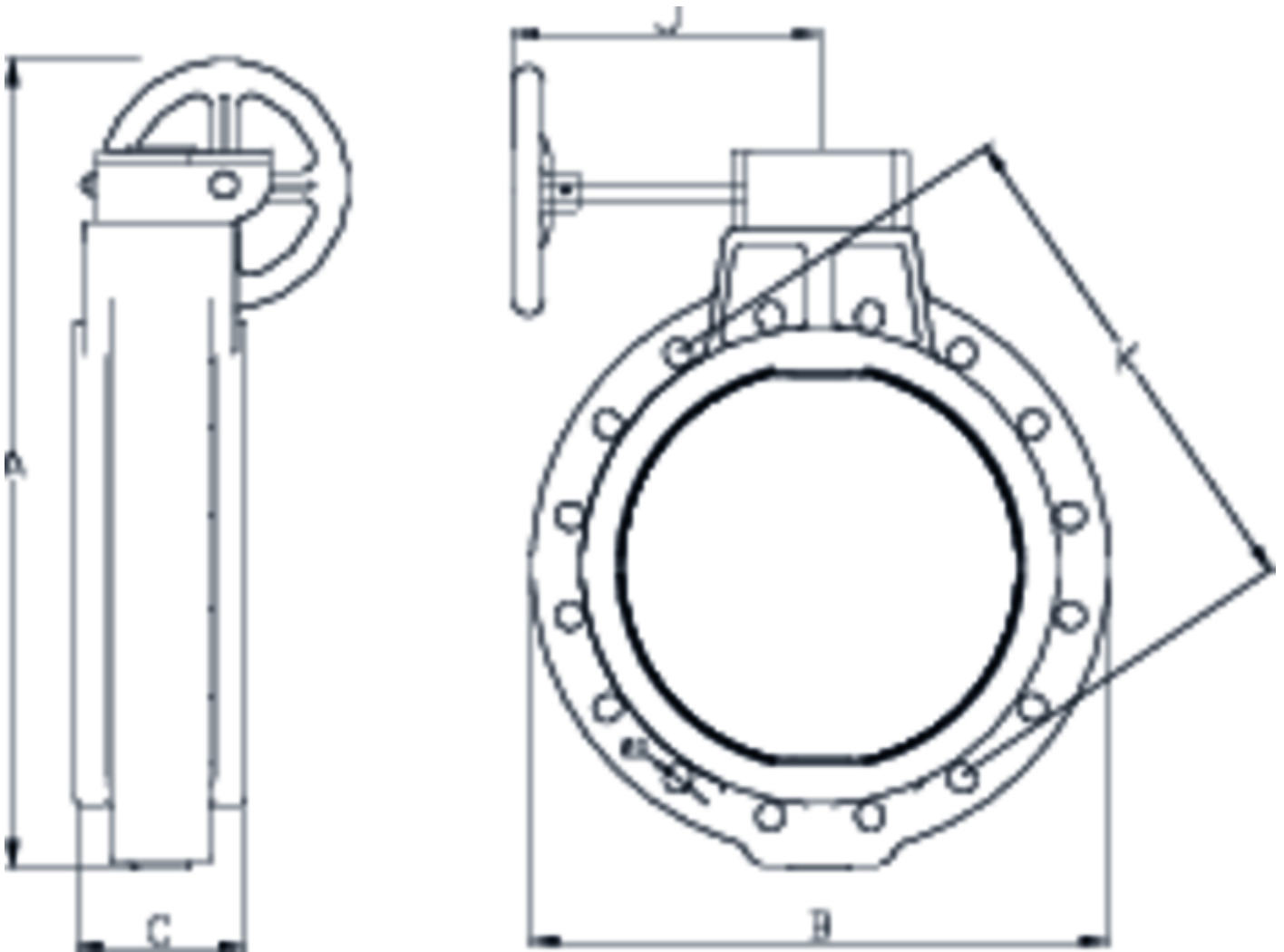
Butterfly valves

Implex butterfly valve Ø400

ITEM 187XXL

REFERENCE	DESCRIPTION	Net weight	Volumen (m ³)	Gross weight	Unidades lote
1009651	PP-R EPDM IMPLEX V. W/FLANGE,CATCH 400	95,3	0,36961	99,08	1





ITEM 187XXL | Implex butterfly valve Ø400

CÓDIGO	f	PESO	A	B	C	D	K	J	PN	MEDIDA
09636	400	31600	820	580	170	26x16	515	310	PN6	MÉTRICO



Product Documents

Product Certificates



Company Certificates

