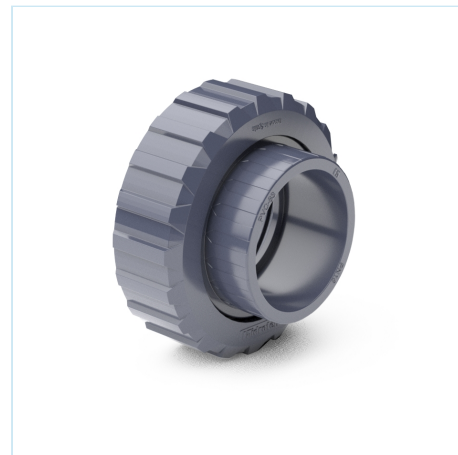


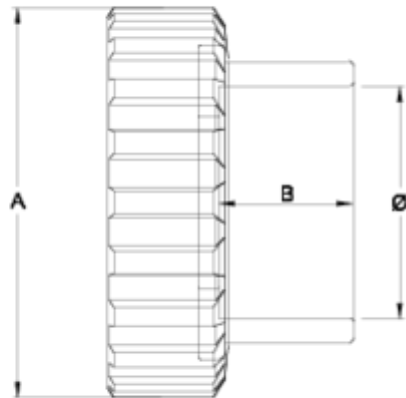


Spare parts

Increasing solvent socket outlet - range combination ITEM 961

REFERENCE	DESCRIPTION	Net weight	Volumen (m ³)	Gross weight	Unidades lote
111D818	BIDIRECTIONAL SOLVENT SOCKET/O 90-110	0,913	0,02243	9,6177	10
111D819	BIDIRECTIONAL SOLVENT SOCKET/O 63-75	0,34633	0,01553	3,79	10
111D820	BIDIRECTIONAL SOLVENT SOCKET/O 75-90	0,651	0,02243	6,9977	10





ITEM 961 | Increasing solvent socket outlet - range combination

CÓDIGO	Ø	PESO (g)	DN	A	B	PN	MEDIDA
11D819	75	325	65	121	45	PN10	MÉTRICO
11D820	90	651	80	151	51	PN10	MÉTRICO
11D818	110	913	100	175	61	PN10	MÉTRICO
11810	125	1572	113	210	71	PN10	MÉTRICO
11811	140	1730	125	210	76	PN10	MÉTRICO
11816	140	1690	125	228	76	PN10	MÉTRICO



Product Documents



Product Certificates

Company Certificates

