

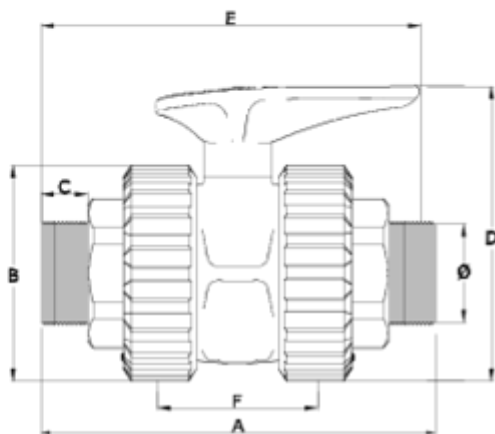


'Basic' ball valves

Male threaded outlet - PTFE - Basic System ITEM 213



REFERENCE	DESCRIPTION	Net weight	Volumen (m ³)	Gross weight	Unidades lote
1011170	PTFE BALL VALVE, MALE/MALE THREAD 1/2"	0,178458	0,01553	7,465	40
1011171	PTFE BALL VALVE, MALE/MALE THREAD 3/4"	0,218	0,02244	9,26	40
1011172	PTFE BALL VALVE, MALE/MALE THREAD 1"	0,368	0,03682	11,66	30
1011173	PTFE BALL VALVE, MALE/MALE THREAD 1 1/4"	0,644	0,03129	13,44	20
1011174	PTFE BALL VALVE, MALE/MALE THREAD 1 1/2"	0,937	0,03682	14,675	15
1011175	PTFE BALL VALVE, MALE/MALE THREAD 2"	1,59262	0,04717	16,568	10
1011178	PTFE BALL VALVE, MALE/MALE THREAD 2 1/2"	2,976	0,03129	12,477	4
1011179	PTFE BALL VALVE, MALE/MALE THREAD 3"	4,97665	0,01553	10,28	2



ITEM 213 | Male threaded outlet - PTFE - Basic System

CÓDIGO	r	DN	PESO (g)	A	B	C	D	F	PN	TIPO ROSCA
11170	1/2"	15	178	118	52	14	78	47	PN16	BSP
11171	3/4"	20	218	130	59	16	84	51	PN16	BSP
11172	1"	25	368	160	70	19	97	66	PN16	BSP
11173	1 1/4"	32	644	176	84	21	128	72	PN16	BSP
11174	1 1/2"	40	937	197	99	22	142	77	PN16	BSP
11175	2"	50	1488	223	121	25	165	90	PN16	BSP
11178	2 1/2"	65	2976	284	151	31	222	121	PN10	BSP
11179	3"	80	4858	323	175	33	244	141	PN10	BSP



Product Documents



Product Certificates



Company Certificates

