



Net air release valve

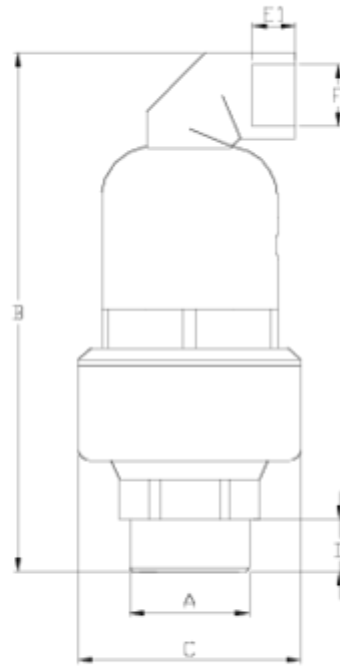
Brass-base kinetic effect (C2)

- PA

ITEM 315

REFERENCE	DESCRIPTION	Net weight	Volumen (m ³)	Gross weight	Unidades lote
1017706	NET® AIR VALVE 2" PA BRASS DOUBLE EFFECT	2,264	0,02244	14,124	6





ITEM 315 | Brass-base kinetic effect (C2) - PA

Código	f A	Peso (g)	B	C	D	E	F	Material	PN	TIPO ROSCA
17306	2"	1944	260	112	30	21	1"	PPFV	PN16	BSP
17706	2"	1984	260	112	30	21	1"	PA	PN25	BSP



Product Documents



Product Certificates

Company Certificates

