



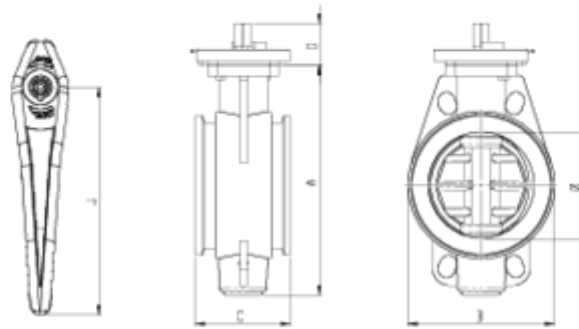
Netvitc System® butterfly valves

Netvitc System valve

ITEM 169

| REFERENCE | DESCRIPTION | Net weight | Volumen (m ³) | Gross weight | Unidades lote |
|-----------|------------------------------------|------------|---------------------------|--------------|---------------|
| 109N001 | BUTTERFLY NETV.SYST. VALVE 63/75 | 1,525575 | 0,02244 | 6,59 | 4 |
| 109N002 | BUTTERFLY NETV. SYST. VALVE 90 | 2,27675 | 0,03129 | 9,68 | 4 |
| 109N003 | BUTTERFLY NETV. SYST. VALVE 110 | 2,634 | 0,03129 | 11,11 | 4 |
| 109N004 | BUTTERFLY NETV. SYST. VALVE 125 | 3,24425 | 0,03129 | 13,55 | 4 |
| 109N005 | BUTTERFLY NETV. SYST. VALVE 140 | 3,27 | 0,04117 | 13,96 | 4 |
| 109N006 | BUTTERFLY NETV. SYST. VALVE 160 | 4,62365 | 0,04460 | 19,22 | 4 |
| 109N007 | BUTTERFLY NETV.SYST. VALVE 200/225 | 7,336 | 0,02244 | 7,83 | 1 |





ITEM 169 | Netvitc System valve

| CÓDIGO | f | BRIDA | Pesos | A | B | C | D | J | PN | MEDIDA |
|--------|---------|-------|-------|-----|-----|-----|----|-----|------|---------|
| 9N001 | 63-75 | 75 | 1820 | 189 | 136 | 86 | 45 | 235 | PN10 | MÉTRICO |
| 9N002 | 90 | 90 | 2140 | 213 | 130 | 97 | 45 | 235 | PN10 | MÉTRICO |
| 9N003 | 110 | 110 | 2485 | 233 | 152 | 98 | 45 | 235 | PN10 | MÉTRICO |
| 9N004 | 125 | 125 | 2895 | 244 | 170 | 108 | 45 | 270 | PN10 | MÉTRICO |
| 9N005 | 140 | 140 | 3270 | 264 | 187 | 110 | 45 | 270 | PN10 | MÉTRICO |
| 9N006 | 160 | 160 | 4225 | 286 | 214 | 121 | 45 | 270 | PN10 | MÉTRICO |
| 9N007 | 200-225 | 200 | 4710 | 360 | 271 | 138 | 45 | 270 | PN6 | MÉTRICO |



Product Documents



Product Certificates

Company Certificates

