



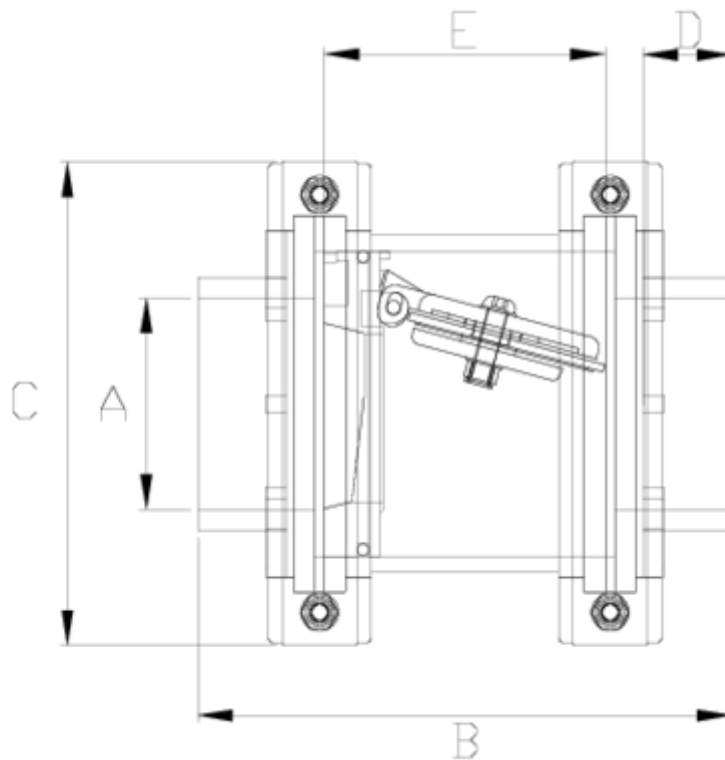
Netvitc System® lineal check valve

Solvent socket outlet - Sight glass body

ITEM 305



REFERENCE	DESCRIPTION	Net weight	Volumen (m ³)	Gross weight	Unidades lote
1015310	LINEAR CHECK V. TRANSP.BODY, S.SOCK.40	0,835825	0,00983	3,67	4
1015311	LINEAR CHECK V. TRANSP.BODY, S.SOCK.50	0,895825	0,00983	3,8551	4
1015312	LINEAR CHECK V. TRANSP.BODY, S.SOCK.63	0,917	0,00708	3,9091	4
1015313	LINEAR CHECK V. TRANSP.BODY, S.SOCK.75	1,028325	0,01234	4,3613	4
1015320	LINEAR CHECK V. TRANSP.BODY, S.SOCK.90	3,2101	0,01782	3,465	1
1015321	LINEAR CHECK V. TRANSP.BODY, S.SOCK.110	3,3471	0,01783	3,602	1
1015322	LINEAR CHECK V. TRANSP.BODY, PLAIN K.DN100-125	3,4671	0,01783	3,722	1
1015323	LINEAR CHECK V. TRANSP.BODY, SOLV.SOCK.DN125-110	5,6951	0,01783	5,95	1
1015324	LINEAR CHECK V. TRANSP.BODY, SOLV.SOCK.DN125-125	5,7851	0,01783	6,04	1
1015325	LINEAR CHECK V. TRANSP.BODY, SOLV.SOCK.140	5,9193	0,02457	6,237	1
1015326	LINEAL CHECK V. TRANSP.BODY, S.SOCK.160	6,2523	0,02457	6,57	1
1015328	LINEAL CHECK V. TRANSP.BODY, S.SOCK. 200	10,348	0,04836	11,08	1
1015329	LINEAL CHECK V. TRANSP.BODY SOLVENT SOCKET/O 225	11,951	0,06149	12,658	1



ITEM 305 | Solvent socket outlet - Sight glass body

CÓDIGO	f	PESOS	BRIDA	DN CUERPO	B	C	D	E	PN	MEDIDA
15310	40	830	63	50	172	125	28	70	PN10	MÉTRICO
15311	50	890	63	50	176	125	31	70	PN10	MÉTRICO
15312	63	840	63	50	150	125	36	70	PN10	MÉTRICO
15313	75	1020	63	50	200	125	42	70	PN10	MÉTRICO
15320	90	2990	125	110	240	203	52	122	PN10	MÉTRICO
15321	110	3120	125	110	256	203	62	122	PN10	MÉTRICO
15322	125	3180	125	110	284	203	70	122	PN10	MÉTRICO
15323	110	4490	160	150	269	251	62	137	PN10	MÉTRICO
15324	125	4690	160	150	287	251	69	137	PN10	MÉTRICO
15325	140	5370	160	150	297	251	75	137	PN10	MÉTRICO



ITEM 305 | Solvent socket outlet - Sight glass body

15326	160	5700	160	150	317	251	86	137	PN10	MÉTRICO
15328	200	9685	200	200	446	297	106	210	PN10	MÉTRICO
15329	225	10745	200	200	=210+2*161	297	120	210	PN10	MÉTRICO



Product Documents



Product Certificates

Company Certificates

