



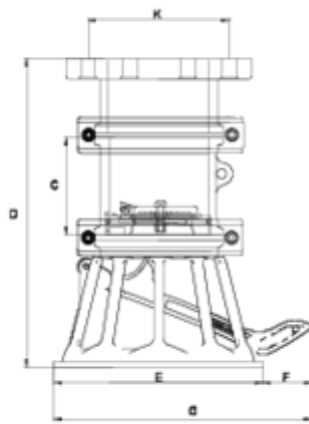
## Netwell® foot valves

# Foot valve, flange outlet

## ITEM 603

| REFERENCE | DESCRIPTION                               | Net weight | Volumen (m <sup>3</sup> ) | Gross weight | Unidades lote |
|-----------|---|------------|---------------------------|--------------|---------------|
| 1014249   | FOOT VALVE WITH FLANGE OUTLET 125         | 4,187      | 0,03129                   | 4,76         | 1             |
| 1014250   | FOOT VALVE WITH FLANGE OUTLET 125 (K=210) | 4,242      | 0,03129                   | 4,815        | 1             |
| 1014252   | ASPIR. FOOT VALVE, FLANGE OUTLET 160      | 6,827      | 0,03129                   | 7,4          | 1             |





## ITEM 603 | Foot valve, flange outlet

| CÓDIGO | Ø TUBO  | PESOS | BRIDA | DN CUERPO | C   | D   | E   | F  | G   | K       | PN   | MEDIDA  |
|--------|---------|-------|-------|-----------|-----|-----|-----|----|-----|---------|------|---------|
| 14249  | 125     | 4344  | 125   | 110       | 122 | 377 | 259 | 53 | 311 | 190     | PN10 | MÉTRICO |
| 14250  | 125-140 | 4650  | 125   | 110       | 122 | 377 | 259 | 53 | 311 | 210-216 | PN10 | MÉTRICO |
| 14252  | 160     | 6858  | 160   | 150       | 137 | 387 | 280 | 74 | 354 | 235-241 | PN10 | MÉTRICO |



## Product Documents



## Product Certificates

## Company Certificates

