

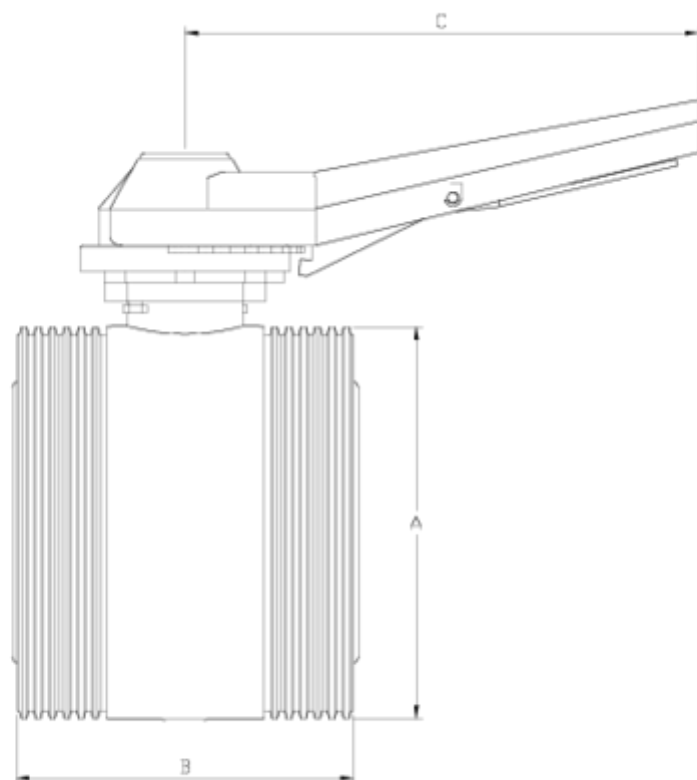


Spare parts

PTFE Main body catch handle system basic ball valve ITEM 240



REFERENCE	DESCRIPTION	Net weight	Volumen (m ³)	Gross weight	Unidades lote
1011619	PTFE CATCH HANDLE MAIN BODY, BALL V. 63	1,293075	0,02243	5,66	4
1011620	PTFE CATCH HANDLE MAIN BODY, BALL V. 75	1,95	0,03129	8,3	4
1011621	PTFE CATCH HANDLE MAIN BODY, BALL V. 90	2,893	0,03129	12,14	4
1011622	PTFE CATCH HANDLE MAIN BODY, BALL V. 110	3,13	0,02244	6,8	2
1011623	PTFE CATCH HANDLE MAIN BODY, BALL V. 125	8,524	0,02244	9,064	1
1011782	CUERPO VALV. ENLACE GATILLO SNS 125 PTFE	6,1383	0,06149	6,9818	1
1011783	BODY -PTFE NETVITC SYSTEM BALL V. PLAIN 140, DN125	9,025	0,06149	9,8685	1



ITEM 240 | PTFE Main body catch handle system basic ball valve

CÓDIGO	f tubo	PESO (g)	DN	A	B	C	PN	MEDIDA
11619	63	1060	50	98	89	235	PN16	MÉTRICO
11620	75	1950	50	127	119	235	PN10	MÉTRICO
11621	90	2750	65	151	140	235	PN10	MÉTRICO
11622	110	3125	100	180	155	270	PN10	MÉTRICO
11623	125	5000	113	200	161	330	PN10	MÉTRICO
11782	125	5200	113	224	161	330	PN10	MÉTRICO
11783	140	6500	125	251	195	330	PN10	MÉTRICO



Product Documents



Product Certificates

Company Certificates

