



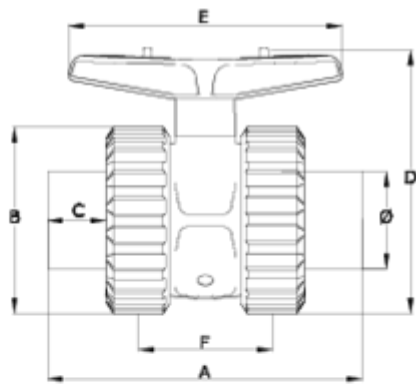
'basic' bi-directional ball valve

PTFE Male solvent socket outlet

ITEM 785



REFERENCE	DESCRIPTION	Net weight	Volumen (m ³)	Gross weight	Unidades lote
111D120	PTFE BIDIR.BALL VAL. PLAIN/MALE 20	0,169	0,01553	7,0867	40
111D121	PTFE BIDIR.BALL VAL. PLAIN/MALE 25	0,215	0,02244	9,0877	40
111D122	PTFE BIDIR.BALL VAL. PLAIN/MALE 32	0,374267	0,03129	11,801	30
111D123	PTFE BIDIR.BALL VAL. PLAIN/MALE 40	0,58956	0,03129	12,3642	20
111D124	PTFE BIDIR.BALL VAL. PLAIN/MALE 50	0,885	0,03129	13,848	15
111D125	PTFE BIDIR.BALL VAL. PLAIN/MALE 63	1,498	0,03682	15,5292	10



ITEM 785 | PTFE Male solvent socket outlet

CÓDIGO	f	PESO (g)	DN	A	B	C	D	E	F	PN	MEDIDA
11D120	20	158	15	104	55	16	74	80	44	PN16	MÉTRICO
11D121	25	200	20	112	62	19	80	80	49	PN16	MÉTRICO
11D122	32	332	25	142	72	23	103	101	66	PN16	MÉTRICO
11D123	40	574	32	165	88	25	125	130	71	PN16	MÉTRICO
11D124	50	838	40	180	103	31	138	130	75	PN16	MÉTRICO
11D125	63	1308	50	210	120	38	177	170	89	PN16	MÉTRICO



Product Documents



Product Certificates

Company Certificates

