

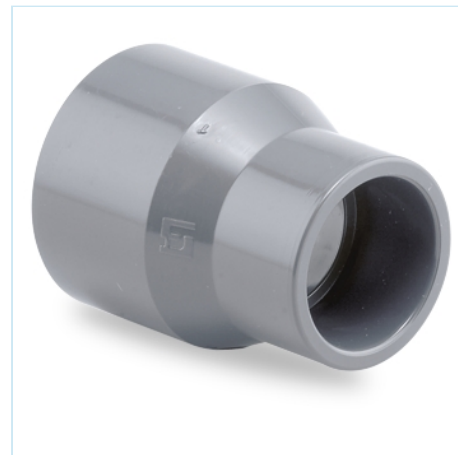


## PVC-U pressure fittings

# Conical reduction

## ITEM 023

REFERENCE	DESCRIPTION	Net weight	Volumen (m <sup>3</sup> )	Gross weight	Unidades lote
1001078	REDUCING SOCKET 32/25/20	0,018876	0,00892	2,075	100
1001103	REDUCING SOCKET 40/32/25	0,032383	0,01553	3,565	100
1001104	REDUCING SOCKET 50/40/32	0,05869	0,01553	4,435	70
1001105	REDUCING SOCKET 63/50/40	0,097208	0,01553	4,215	40
1001106	REDUCING SOCKET 75/63/50	0,15454	0,03129	8,3	50
1001107	REDUCING SOCKET 90/75/63	0,25986	0,03682	8,345	30
1001108	REDUCING SOCKET 110/90/75	0,489813	0,03129	8,41	16
1001109	REDUCING SOCKET 125/110/90	0,565819	0,06150	21,29	36
1001110	REDUCING SOCKET 140/125/110	0,837156	0,06150	14,315	16
1001111	REDUCING SOCKET 160/140/125	1,30081	0,06347	13,795	10
1001112	REDUCING SOCKET 225/200/160	2,588275	0,06347	11,14	4
1001113	REDUCING SOCKET OUT 200/ IN 160	2,491125	0,04117	10,885	4
1001114	REDUCING SOCKET 250/225/200	3,74755	0,04460	8,225	2
1001115	REDUCING SOCKET 250/225/160	3,09725	0,06150	7,115	2
1001116	REDUCING SOCKET 315/280/200	5,40415	0,08678	11,83	2
1001117	REDUCING SOCKET 315/280/160	5,39915	0,08678	11,82	2
1001134	REDUCING SOCKET 200/180/110	1,447375	0,06150	6,71	4
1001135	REDUCING SOCKET 200/180/125	1,522375	0,04117	6,73	4
1001136	REDUCING SOCKET 200/180/140	1,572375	0,04117	7,985	4
1001138	REDUCING SOCKET 225/200/140	2,375775	0,06347	10,29	4
1001139	REDUCING SOCKET 225/200/125	2,284525	0,06347	9,925	4
1001321	REDUCING SOCKET 40/32/20	0,027433	0,01553	3,07	100
1001322	REDUCING SOCKET 50/40/20	0,046404	0,01553	3,575	70



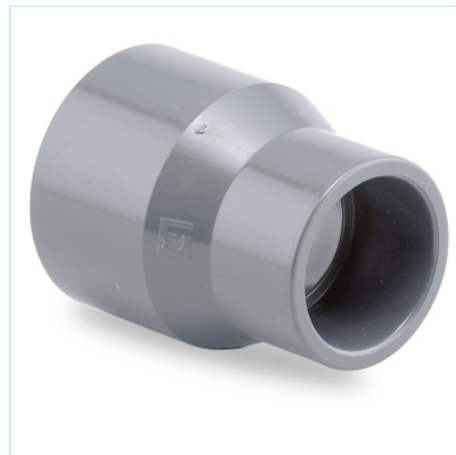


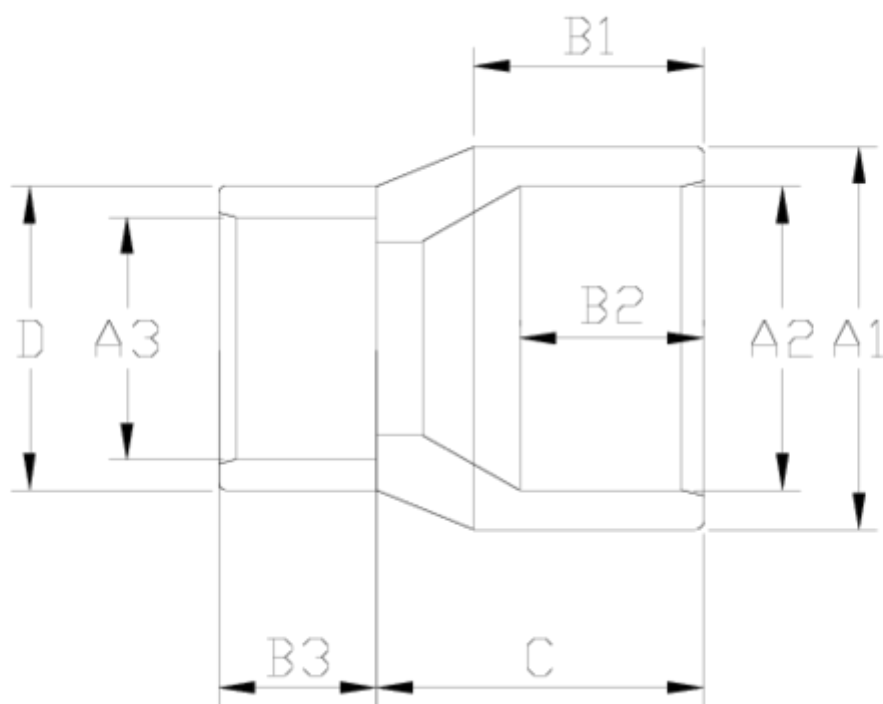
## PVC-U pressure fittings

# Conical reduction

## ITEM 023

REFERENCE	DESCRIPTION	Net weight	Volumen (m <sup>3</sup> )	contenido.Peso bruto	Unidades lote
1001323	REDUCING SOCKET 50/40/25	0,051976	0,01553	3,965	70
1001324	REDUCING SOCKET 63/50/25	0,088958	0,01553	3,885	40
1001325	REDUCING SOCKET 63/50/32	0,095708	0,01553	4,155	40
1001326	REDUCING SOCKET 75/63/32	0,12324	0,03129	6,735	50
1001327	REDUCING SOCKET 75/63/40	0,13344	0,03129	7,245	50
1001328	REDUCING SOCKET 90/75/40	0,202027	0,03129	6,61	30
1001329	REDUCING SOCKET 90/75/50	0,219693	0,03129	7,14	30
1001330	REDUCING SOCKET 110/90/50	0,388269	0,02244	6,7	16
1001331	REDUCING SOCKET 110/90/63	0,425144	0,02457	7,29	16
1001332	REDUCING SOCKET 125/110/63	0,439014	0,06150	16,725	36
1001333	REDUCING SOCKET 125/110/75	0,498597	0,06150	18,87	36
1001334	REDUCING SOCKET 140/125/75	0,628325	0,04717	10,695	16
1001335	REDUCING SOCKET 140/125/90	0,670825	0,04717	11,375	16
1001336	REDUCING SOCKET 160/140/90	0,92749	0,04836	9,94	10
1001337	REDUCING SOCKET 160/140/110	1,11949	0,04836	11,86	10





## ITEM 023 | Conical reduction

Codigo	A1/A2/A3	Peso (g)	B1	B2	B3	C	D	PN	MEDIDA
01078	32/25/20	19	22	19	16	30	27	PN16	MÉTRICO
01321	40/32/20	28	26	22	17	34	27	PN16	MÉTRICO
01103	40/32/25	33	26	22	19	36	33	PN16	MÉTRICO
01322	50/40/20	48	31	26	16	45	27	PN16	MÉTRICO
01323	50/40/25	53	31	26	19	44	33	PN16	MÉTRICO
01104	50/40/32	58	31	26	22	44	41	PN16	MÉTRICO
01324	63/50/25	90	38	31	19	54	33	PN16	MÉTRICO
01325	63/50/32	97	38	31	22	42	41	PN16	MÉTRICO
01105	63/50/40	107	38	31	26	54	50	PN16	MÉTRICO
01326	75/63/32	112	44	38	22	62	41	PN16	MÉTRICO



## ITEM 023 | Conical reduction

01327	75/36/40	125	44	38	26	64	50	PN16	MÉTRICO
01106	75/63/50	148	44	38	31	62	61	PN16	MÉTRICO
01328	90/75/40	197	51	44	27	75	50	PN16	MÉTRICO
01329	90/75/50	220	51	44	31	75	61	PN16	MÉTRICO
01107	90/75/63	256	51	44	38	74	76	PN16	MÉTRICO
01330	110/90/50	389	61	51	29	90	61	PN16	MÉTRICO
01331	110/90/63	428	61	51	38	90	75	PN16	MÉTRICO
01108	110/90/75	489	61	51	44	88	90	PN16	MÉTRICO
01332	125/110/63	426	69	61	38	101	75	PN16	MÉTRICO
01333	125/110/75	497	69	61	44	100	90	PN16	MÉTRICO
01109	125/110/90	523	69	61	51	100	108	PN16	MÉTRICO
01334	140/125/75	641	76	69	44	111	90	PN16	MÉTRICO
01335	140/125/90	657	76	69	51	112	105	PN16	MÉTRICO
01110	140/125/110	845	76	69	61	111	131	PN16	MÉTRICO
01336	160/140/90	918	86	76	51	126	105	PN10	MÉTRICO
01337	160/140/110	1145	86	76	61	126	131	PN10	MÉTRICO
01111	160/140/125	1288	86	76	69	126	148	PN10	MÉTRICO
01113	EXT 200/INT 160	2540	106	NO	86	156	182	PN10	MÉTRICO
01134	200/180/110	1890	106	100	61	154	131	PN10	MÉTRICO
01135	200/180/125	1920	106	100	69	154	148	PN10	MÉTRICO
01136	200/180/140	1980	106	100	76	154	157	PN10	MÉTRICO
01139	225/200/125	2430	119	106	69	171	148	PN10	MÉTRICO
01138	225/200/140	2480	119	106	76	171	157	PN10	MÉTRICO
01112	225/200/160	2567	119	106	86	171	182	PN10	MÉTRICO
01114	250/225/200	4975	131	119	106	194	225	PN10	MÉTRICO
01115	250/225/160	4345	131	119	86	194	182	PN10	MÉTRICO



## ITEM 023 | Conical reduction

01116	315/280/200	8690	164	131	106	233	225	PN10	MÉTRICO
01117	315/280/160	8075	164	131	86	233	182	PN10	MÉTRICO



## Product Documents



## Product Certificates



## Company Certificates

