



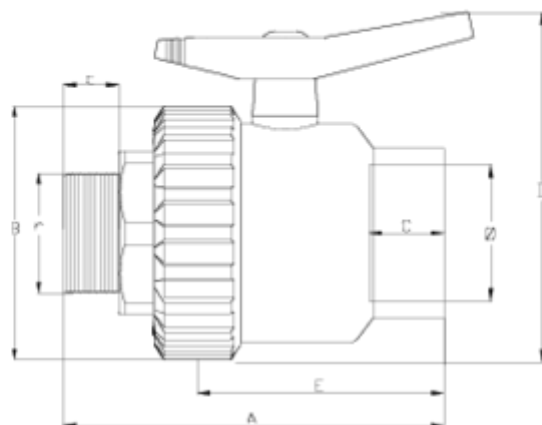
'Semi compact' ball valves

M. thread-solvent s. outlet

ITEM 729

REFERENCE	DESCRIPTION	Net weight	Volumen (m ³)	Gross weight	Unidades lote
111S025	SEMI-COMPACT BALL V. PLAIN-MALE TH 50	0,73713	0,03129	11,63	15
111S026	SEMI-COMPACT BALL V. PLAIN-MALE TH 63	1,076	0,03682	10,76	10



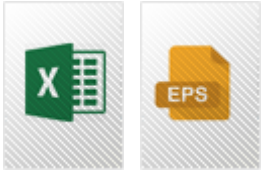


ITEM 729 | M. thread-solvent s. outlet

CÓDIGO PE	f-r	DN	PESO (g)	A	B	C	c	D	E	PN	TIPO ROSCA
11S025	50-1 1/2"	40	695	170	99	31	22	138	109	PN10	BSP
11S026	63-2"	50	1080	193	116	38	25	172	124	PN10	BSP



Product Documents



Product Certificates

Company Certificates

