

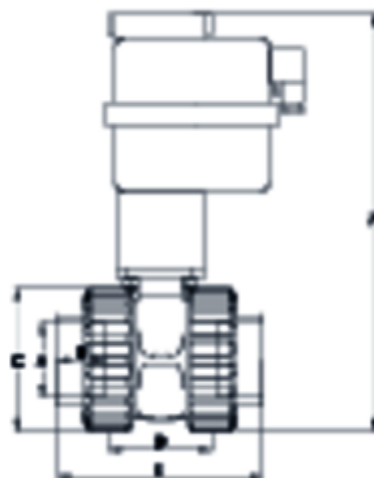


'Basic' ball valves

Solvent socket outlet - 240V electric actuator - PTFE ITEM 248



| REFERENCE | DESCRIPTION | Net weight | Volumen (m ³) | Gross weight | Unidades lote |
|-----------|--|------------|---------------------------|--------------|---------------|
| 1011218 | BALL VALVE ELEC. ACT. 160 ND150 | 23,66 | 0,16000 | 26,04 | 1 |
| 1011299 | BALL V. W/220v.ELEC. ACTU,S. SOCK OUT. 20 | 1,2426 | 0,01553 | 1,5693 | 1 |
| 1011300 | BALL V. W/220v.ELEC. ACTU,S. SOCK OUT. 25 | 1,4686 | 0,00891 | 1,656 | 1 |
| 1011301 | BALL V. W/220v.ELEC. ACTU,S. SOCK OUT. 32 | 2,5383 | 0,02243 | 3,026 | 1 |
| 1011302 | BALL V. 24-240v.ELEC. ACTU,S. SOCK OUT. 40 | 3,1123 | 0,02244 | 3,6 | 1 |
| 1011303 | BALL V. 24-240v.ELEC. ACTU,S. SOCK OUT. 50 | 3,1133 | 0,02244 | 3,601 | 1 |
| 1011304 | BALL V. W/24-220v.ELEC. ACTU, PLAIN 63 | 3,8273 | 0,03648 | 4,4213 | 1 |
| 1011305 | BALL V. 24-240V. ELECTRIC ACTUATED, PLAIN 75 | 5,021 | 0,03648 | 5,615 | 1 |
| 1011306 | BALL V. W/24-240v.ELEC. ACTU,S. SOCK OUT. 90 | 7,1601 | 0,04460 | 7,89 | 1 |
| 1011307 | BALL V. W/220v.ELEC. ACTU,S/ SOCK O. 110 | 9,3301 | 0,04460 | 10,06 | 1 |
| 1011308 | BALL V. W/220v.ELEC. ACTU,S. SOCK OUT. 125 | 12,249 | 0,04460 | 12,943 | 1 |
| 1011959 | BALL V. W/220v.ELEC. ACTU,S. SOCK OUT. 140 | 14,56 | 0,04460 | 15,2258 | 1 |



ITEM 248 | Solvent socket outlet - 240V electric actuator - PTFE

| CÓDIGO | A | PESO (g) | DN | Actuador | B | C | D | E | F | G | PN | MEDIDA |
|--------|-----|----------|-----|----------|----|-----|-----|-----|-----|-----|------|---------|
| 11299 | 20 | 1478 | 15 | S20 | 16 | 52 | 47 | 84 | 268 | 177 | PN16 | MÉTRICO |
| 11300 | 25 | 1516 | 20 | S20 | 19 | 59 | 51 | 96 | 274 | 177 | PN16 | MÉTRICO |
| 11301 | 32 | 1642 | 25 | S20 | 23 | 70 | 66 | 117 | 285 | 177 | PN16 | MÉTRICO |
| 11302 | 40 | 3112 | 32 | S20 | 25 | 84 | 72 | 132 | 307 | 177 | PN16 | MÉTRICO |
| 11303 | 50 | 3113 | 40 | S20 | 31 | 99 | 77 | 149 | 325 | 177 | PN16 | MÉTRICO |
| 11304 | 63 | 3827 | 50 | S20 | 38 | 121 | 90 | 173 | 352 | 177 | PN16 | MÉTRICO |
| 11305 | 75 | 5021 | 65 | S35 | 45 | 151 | 121 | 215 | 426 | 177 | PN10 | MÉTRICO |
| 11306 | 90 | 7160 | 80 | S55 | 51 | 175 | 141 | 255 | 453 | 177 | PN10 | MÉTRICO |
| 11307 | 110 | 9330 | 100 | S55 | 61 | 210 | 155 | 267 | 477 | 177 | PN10 | MÉTRICO |
| 11308 | 125 | 9100 | 113 | S85 | 71 | 228 | 161 | 328 | 500 | 177 | PN10 | MÉTRICO |



ITEM 248 | Solvent socket outlet - 240V electric actuator - PTFE

| | | | | | | | | | | | | |
|-------|-----|-------|-----|------|-----|-----|-----|-----|-----|-----|-------------|---------|
| 11959 | 140 | 14560 | 125 | S85 | 76 | 278 | 195 | 405 | 538 | 177 | PN10 | MÉTRICO |
| 11218 | 160 | 23660 | 150 | S140 | 101 | 284 | 153 | 350 | 687 | 177 | PN10 | MÉTRICO |



Product Documents



Product Certificates



Company Certificates

