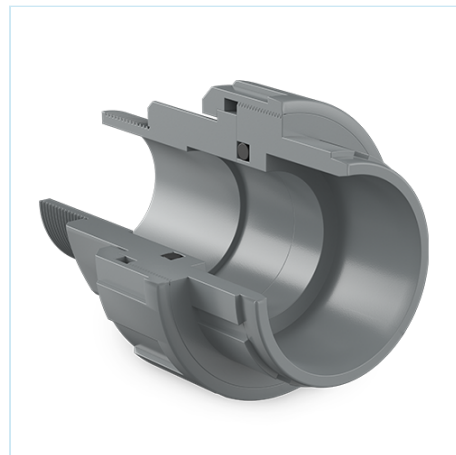


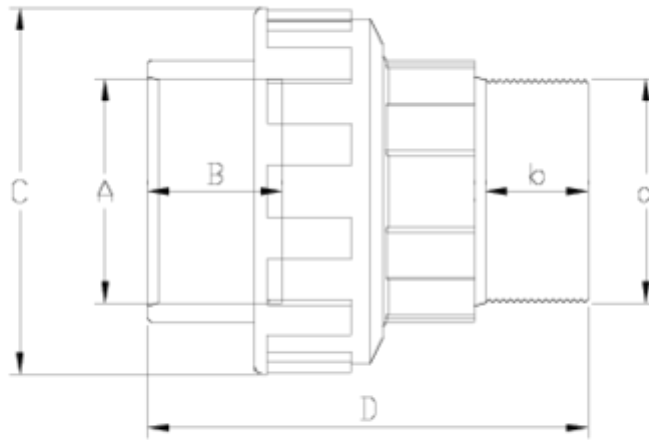


## PVC-U pressure fittings

# Union male thread socket plain ITEM 920

| REFERENCE | DESCRIPTION                               | Net weight | Volumen (m <sup>3</sup> ) | Gross weight | Unidades lote |
|-----------|---|------------|---------------------------|--------------|---------------|
| 1002358   | UNION,MALE THREAD SOCKET PLAIN 32-1"      | 0,114      | 0,00891                   | 2,92         | 24            |
| 1002360   | UNION, PLAIN SOCKET-MALE THREAD 50-1 1/2" | 0,236      | 0,08677                   | 16,78        | 60            |
| 1002361   | UNION, PLAIN SOCKET-MALE THREAD 63-2"     | 0,3782     | 0,04460                   | 9,77         | 24            |





## ITEM 920 | Union male thread socket plain

| Código | a-A       | Peso (g) | B  | b  | C  | D   | PN   | ROSCA |
|--------|-----------|----------|----|----|----|-----|------|-------|
| 02358  | 1"-32     | 98       | 22 | 19 | 62 | 72  | PN10 | BSP   |
| 02360  | 1 1/2"-50 | 258      | 31 | 21 | 80 | 98  | PN10 | BSP   |
| 02361  | 2"-63     | 409      | 38 | 26 | 99 | 120 | PN10 | BSP   |



## Product Documents



## Product Certificates



## Company Certificates

