



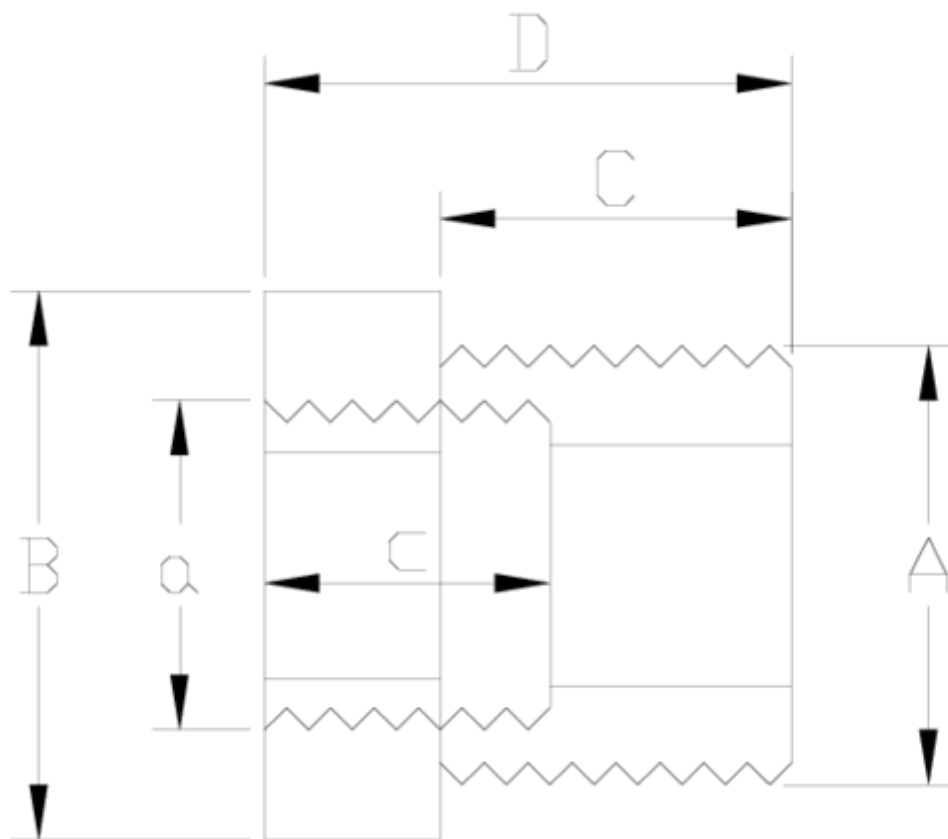
## Accesorios de presión PVC-U

# REDUCCIÓN R/M-R/H PVC

## ITEM 807

| REFERENCIA | DESCRIPCIÓN                     | Peso neto | Volumen (m <sup>3</sup> ) | Peso bruto | Unidades lote |
|------------|---------------------------------|-----------|---------------------------|------------|---------------|
| 1002469    | REDUCCION R/M-R/H 1/2"-3/8"     | 0,007483  | 0,00472                   | 1,015      | 120           |
| 1002470    | REDUCCION R/M-R/H 1/2"-1/4"     | 0,009     | 0,00473                   | 1,1261     | 120           |
| 1002471    | REDUCCION R/M-R/H 1/2"-1/8"     | 0,0101    | 0,00473                   | 1,332      | 120           |
| 1002472    | REDUCCION R/M-R/H 3/4"-1/2"     | 0,0219    | 0,00892                   | 2,355      | 100           |
| 1002473    | REDUCCION R/M-R/H 1"-1/2"       | 0,032908  | 0,00892                   | 2,82       | 80            |
| 1002474    | REDUCCION R/M-R/H 1"-3/4"       | 0,0343    | 0,00892                   | 2,928      | 80            |
| 1002475    | REDUCCION R/M-R/H 1 1/4"-1"     | 0,05      | 0,01553                   | 3,8267     | 70            |
| 1002476    | REDUCCION R/M-R/H 1 1/2"-1 1/4" | 0,086     | 0,01553                   | 5,49       | 60            |
| 1002477    | REDUCCION R/M-R/H 2"-1 1/4"     | 0,112788  | 0,02243                   | 7,255      | 60            |
| 1002478    | REDUCCION R/M-R/H 2"-1 1/2"     | 0,119788  | 0,02243                   | 7,67728    | 60            |
| 1002479    | REDUCCION R/M-R/H 2 1/2"-1 1/4" | 0,150404  | 0,04717                   | 7,41       | 45            |
| 1002480    | REDUCCION R/M-R/H 2 1/2"-2"     | 0,170404  | 0,03129                   | 8,24       | 45            |
| 1002481    | REDUCCION R/M-R/H 3"-2 1/2"     | 0,258032  | 0,03129                   | 7,089      | 25            |
| 1002484    | REDUCCION R/M-R/H 1 1/4"-3/4"   | 0,047     | 0,01553                   | 3,67       | 70            |





## ITEM 807 | REDUCCIÓN R/M-R/H PVC

| Codigo | A-a           | Peso (g) | B  | C  | c  | D  | PN   | ROSCA |
|--------|---------------|----------|----|----|----|----|------|-------|
| 02471  | 1/2"-1/8"     | 9.2      | 24 | 15 | 12 | 25 | PN10 | BSP   |
| 02470  | 1/2"-1/4"     | 8.8      | 24 | 15 | 14 | 25 | PN10 | BSP   |
| 02469  | 1/2"-3/8"     | 8.2      | 24 | 15 | 14 | 25 | PN10 | BSP   |
| 02472  | 3/4"-1/2"     | 18       | 34 | 16 | 18 | 43 | PN10 | BSP   |
| 02473  | 1"-1/2"       | 32       | 44 | 19 | 21 | 46 | PN10 | BSP   |
| 02474  | 1"-3/4"       | 37       | 44 | 19 | 23 | 48 | PN10 | BSP   |
| 02484  | 1 1/4"-3/4"   | 53       | 50 | 21 | 19 | 48 | PN10 | BSP   |
| 02475  | 1 1/4"-1"     | 57       | 50 | 21 | 19 | 53 | PN10 | BSP   |
| 02476  | 1 1/2"-1 1/4" | 83       | 60 | 22 | 31 | 58 | PN10 | BSP   |
| 02477  | 2"-1 1/4"     | 109      | 72 | 26 | 25 | 60 | PN10 | BSP   |

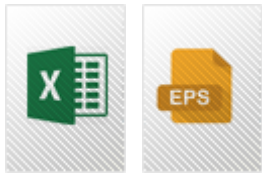


## ITEM 807 | REDUCCIÓN R/M-R/H PVC

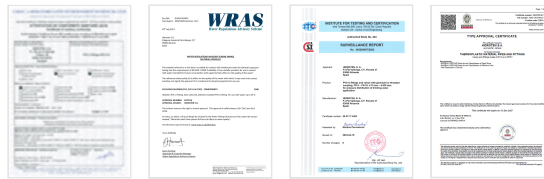
|         |               |     |    |    |    |    |      |     |
|---------|---------------|-----|----|----|----|----|------|-----|
| 02478   | 2"-1 1/2"     | 114 | 72 | 26 | 25 | 60 | PN10 | BSP |
| 02479   | 2 1/2"-1 1/4" | 150 | 78 | 31 | 29 | 66 | PN10 | BSP |
| 02480   | 2 1/2"-2"     | 165 | 78 | 31 | 31 | 70 | PN10 | BSP |
| 02481   | 3"-2 1/2"     | 255 | 92 | 33 | 38 | 79 | PN10 | BSP |
| #VALUE! |               |     |    |    |    |    |      |     |



## Documentación de Producto



## Certificados de Producto



## Certificados de Empresa

