

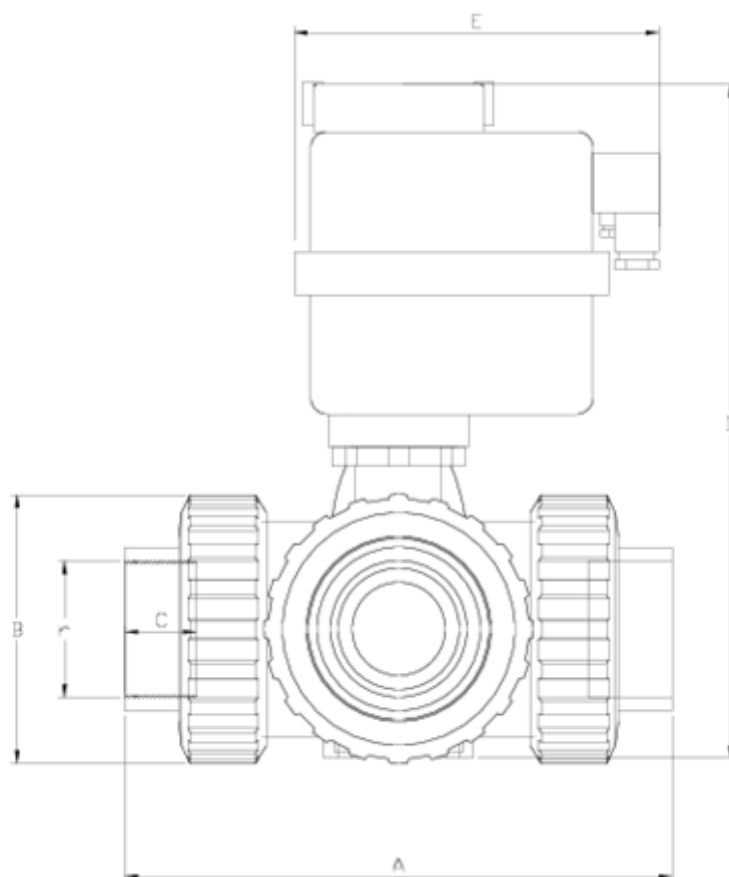


Válvulas de bola tres vías 'Security'

SALIDA R/HEMBRA ACT. ELÉC. 220V. - PTFE ITEM 858

| REFERENCIA | DESCRIPCIÓN | Peso neto | Volumen (m ³) | Peso bruto | Unidades lote |
|------------|-----------------------------------|-----------|---------------------------|------------|---------------|
| 111V213 | V.E.3 VIAS L R/H 1" ACT.ELECT | 1,59 | 0,01782 | 2,32 | 1 |
| 111V215 | V.E.3 VIAS L R/H 1 1/2" ACT.ELECT | 3,4964 | 0,04460 | 4,1622 | 1 |
| 111V216 | V.E.3 VIAS L R/H 2" ACT.ELECT | 4,439 | 0,04460 | 5,1048 | 1 |
| 111V217 | V.E.3 VIAS L R/H 2 1/2" ACT.ELECT | 7,355 | 0,04836 | 8,1985 | 1 |
| 111V253 | V.E.3 VIAS T R/H 1" ACT.ELECT | 1,6168 | 0,01782 | 2,3467 | 1 |
| 111V255 | V.E.3 VIAS T R/H 1 1/2" ACT.ELECT | 3,4964 | 0,04460 | 3,4964 | 1 |
| 111V256 | V.E.3 VIAS T R/H 2" ACT.ELECT | 4,439 | 0,03129 | 5,012 | 1 |
| 111V257 | V.E.3 VIAS T R/H 2 1/2" ACT.ELECT | 7,3559 | 0,04836 | 8,1994 | 1 |





ITEM 858 | SALIDA R/HEMBRA ACT. ELÉC. 220V. - PTFE

| PTFE | r | Actuador | PESO (g) | DN | Modelo | A | B | C | D | E | PN | TIPO ROSCA |
|--------|--------|----------|----------|----|--------|-----|-----|----|-----|-----|------|------------|
| 11V213 | 1" | H10 | 1636 | 25 | L | 162 | 72 | 23 | 220 | 169 | PN16 | BSP |
| 11V215 | 1 1/2" | H20 | 3531 | 40 | L | 210 | 103 | 33 | 279 | 177 | PN16 | BSP |
| 11V216 | 2" | H35 | 4518 | 50 | L | 261 | 120 | 29 | 318 | 177 | PN16 | BSP |
| 11V217 | 2 1/2" | H55 | 7513 | 65 | L | 322 | 150 | 33 | 384 | 177 | PN10 | BSP |
| 11V253 | 1" | H10 | 1632 | 25 | T | 162 | 72 | 23 | 220 | 169 | PN16 | BSP |
| 11V255 | 1 1/2" | H20 | 3521 | 40 | T | 210 | 103 | 33 | 279 | 177 | PN16 | BSP |
| 11V256 | 2" | H35 | 4500 | 50 | T | 261 | 120 | 29 | 318 | 177 | PN16 | BSP |
| 11V257 | 2 1/2" | H55 | 7473 | 65 | T | 322 | 150 | 33 | 384 | 177 | PN10 | BSP |



Documentación de Producto



Certificados de Producto

Certificados de Empresa

